

Small LED Traverse Flood and Wall Light

FXTV2C3 & FXTV2Q

COB TECHNOLOGY • EASYLED TECHNOLOGY • FLOOD LIGHT • WALL LIGHT



The FXTV2C3 and FXTV2Q luminaire is available in three wattages designed for typical applications including general area, parking, flood, security, and accent lighting for retail centers, industrial parks, schools and universities, public transit and airports, office buildings and medical facilities. Mounting heights of 8 to 15 feet can be used based on light level and uniformity requirements.

HOUSING:

Die-Cast Gasketed Aluminum Housing, Includes Cast-In Box Template and Built in Level. White Reflector. Nickel-Plated Stainless Steel Hardware.

LISTING & RATINGS:

ETL: Listed for Wet Locations, ANSI/UL 1598, 8750; IP66 Sealed LED Compartment.

FINISH:

Textured Architectural Bronze Powdercoat Finish Over a Chromate Conversion Coating. Custom Colors Available Upon Request.

LENS:

Tempered Clear Flat Glass Lens

MOUNTING OPTIONS:

Mount Directly Over Recessed Electrical Box or Use 1/2" Surface Conduit or Adjustable Knuckle with 1/2" NPS Threads, (Included, Field Installed).

LED:

Cool Copper COB or EasyLED Aluminum Board

WATTAGE:

17w EasyLED Array: 17, System 22w
20w COB: 20w, System: 21w;
40w COB 40w, System: 43w

DRIVER:

Electronic Driver, 120-277V, 50/60Hz; Less Than 20% THD and PF>0.90. Standard Internal Surge Protection is 2kV for 20w, 6kV for 40w. 0-10V Dimming Standard for a Dimming Range of 100% to 10%; Dimming Source Current is 150 Microamps.

CONTROLS:

Fixtures Ordered with Factory-Installed Photocell or Motion Sensor Controls are Internally Wired for Switching and/or 1-10V Dimming Within the Housing. Remote Direct Wired Interface of 1-10V Dimming is Not Implied and May Not Be Available, Please Consult Factory. Fixtures are Tested with FX Lighting Controls and May Not Function Properly With Controls Supplied By Others. Fixtures are NOT Designed for Use with Line Voltage Dimmers.

BATTERY BACKUP:

Battery Backup Option Includes Accessory Housing (Ships Separately). Empty Accessory Housing is Available For Use When a Uniform Building Aesthetic is Desired.

LIFESPAN:

L70>76,000 Hours

WARRANTY:

5-Year Warranty for -40°C to +50°C Environment.

See Page 3 for Projected Lumen Maintenance Table.



Shown with Battery Backup Option. Only Available for Wall Mount

Shown with "KN" Knuckle Installed.



PROJECT INFORMATION:	
Project Name:	Fixture Type:
Complete Catalog #:	Date:
Comments:	

FXLSolutions.com • (800) 533-2789 • info@FXLSolutions.com

Small LED Traverse Flood and Wall Light

FXTV2C3 & FXTV2Q

COB TECHNOLOGY • EASYLED TECHNOLOGY • FLOOD LIGHT • WALL LIGHT



We have custom and standard manufacturing options. Use this form to build your part number or reach out to our sales team for assistance.

GET YOUR PRODUCTS FASTER WITH OUR QUICK SHIP PROGRAM

Multiple USA locations = 98-3-1 Quick Ship Program
98% Fill Rate – 3 Day Lead Time – 1 Piece Minimum Order

ORDER EXAMPLE

FXTV2C3	<u>Wattage</u> 2X20	<u>Driver</u> U	<u>CCT</u> 41K	<u>Color</u> Z	<u>Mounting</u> KN	<u>Option</u> SP
Series		Driver		Color		Option

ORDER CONFIGURATION

Series/Wattage/Driver/CCT	Color	Mounting	Options
FXTV2QF1X17U3K=EasyLED Traverse Wall and Flood Light, 17W, 120-277V, 3000K FXTV2C32X10U41K=C3 LED Traverse Wall and Flood Light, 20W, 120-277V, 4100K FXTV2C32X20U41K=C3 LED Traverse Wall and Flood Light, 40W, 120-277V, 4100K	Z=Bronze C=Custom (Consult Factory)	KN=Knuckle* *Optional, field installed. Order only for flood model.	SF=Single Fuse DF=Double Fuse SP=Surge Protection P14=Pencil Photocell, 120-277VAC BU4=Battery Backup, 90 Minutes* BUC4=Cold Start Battery Backup, -20°C, 90 Minutes* *Wall Mount Only. (Not available for "KN")

Mounting Accessories

(Order Separately, Field Installed)

Options	Description
FXFLPTFZ	Die-Cast Post Top Fitter for 2½" to 3½" Poles, Bronze Powdercoat Finish, Three (3) ½" Coin Plugs.
FXFLSTK	Heavy Duty Ground Stake, Built-in Wiring Compartment with ½" NPS Threaded Fitting, Black Plastic. For Line-Voltage Applications.



Accessories

(Order Separately, Field Installed)

Options	Description
FXP18112	208-277V, 240VAC Pencil Photocell
FXACCHSG4*	Empty Die Cast Accessory Housing, Powdercoat Finish

*Specify Color: Z=Bronze, B=Black, C=Custom (Consult Factory)



Replacement Parts


(Order Separately, Field Installed)

Options	Description
FXFLSTZ	Die-Cast Adjustable Knuckle with ½" NPS Threads, Bronze Powdercoat Finish.
FXP18114	120-277V, 50/60Hz Pencil Photocell

For Replacement Battery Backup, see the FX Lighting LED Battery Backup Specification Sheet.



EFFECTIVE PROJECTED AREA (EPA)

Configuration	EPA (Sq. Ft.)	Weight (Lbs.)
 1	0.31	5 Lbs

FXLSolutions.com • (800) 533-2789 • info@FXLSolutions.com

Small LED Traverse Flood and Wall Light

FXTV2C3 & FXTV2Q

COB TECHNOLOGY • EASYLED TECHNOLOGY • FLOOD LIGHT • WALL LIGHT



FXTV2C3 & FXTV2Q PHOTOMETRIC DATA FOR WALL APPLICATIONS

Wattage (Catalog Logic)		17W (1X17)	20W (2X10)	40W (2X20)
Input Watts		22W	21W	43W
Lumen Package	CCT	Delivered Lumens		
FXTV2Q Type II	3000K	2,178	-	-
	BUG Rating	B1-U0-G0	-	-
FXTV2C3 Type II	4100K	-	2,300	4,025
	BUG Rating	-	B1-U1-G0	B2-U1-G1

FXTV2C3 & FXTV2Q PHOTOMETRIC DATA FOR FLOOD APPLICATIONS

Wattage (Catalog Logic)		17W (1X17)	20W (2X10)	40W (2X20)
Input Watts		22W	21W	43W
Lumen Package	Beam	CCT	Delivered Lumens	
FXTV2Q	108°H x 98°V, NEMA 7H x 6V	3000K	2,183	-
FXTV2C3	110°H x 100°V, NEMA 7H x 6V	4100K	-	2,304
	100°H x 90°V, NEMA 7H x 6V	4100K	-	4,034

FXTV2C3 & FXTV2Q PROJECTED LUMEN MAINTENANCE

Data shown for 4100 CCT		Compare to MH				
TM-21-11	Input Watts	Initial	25,000 Hrs	50,000 Hrs	100,000 Hrs	Calculated LED Life
L70 Lumen Maintenance @ 25°C / 77°F	All wattages up to and including 43w	1.00	0.90	0.80	0.61	76,000
L70 Lumen Maintenance @ 50°C / 122°F		1.00	0.86	0.72	0.44	54,000
L80 Lumen Maintenance @ 40°C / 104°F		1.00	0.88	0.76	0.52	42,000

NOTES:

1. Projected per IESNA TM-21-11. Data references the extrapolated performance projections for the base model in a 25°C ambient, based on 10,000 hours of LED testing per IESNA LM-80-08.
2. Compare to MH box indicates suggested Light Loss Factor (LLF) to be used when comparing to Metal Halide (MH) systems.

FXLSolutions.com • (800) 533-2789 • info@FXLSolutions.com

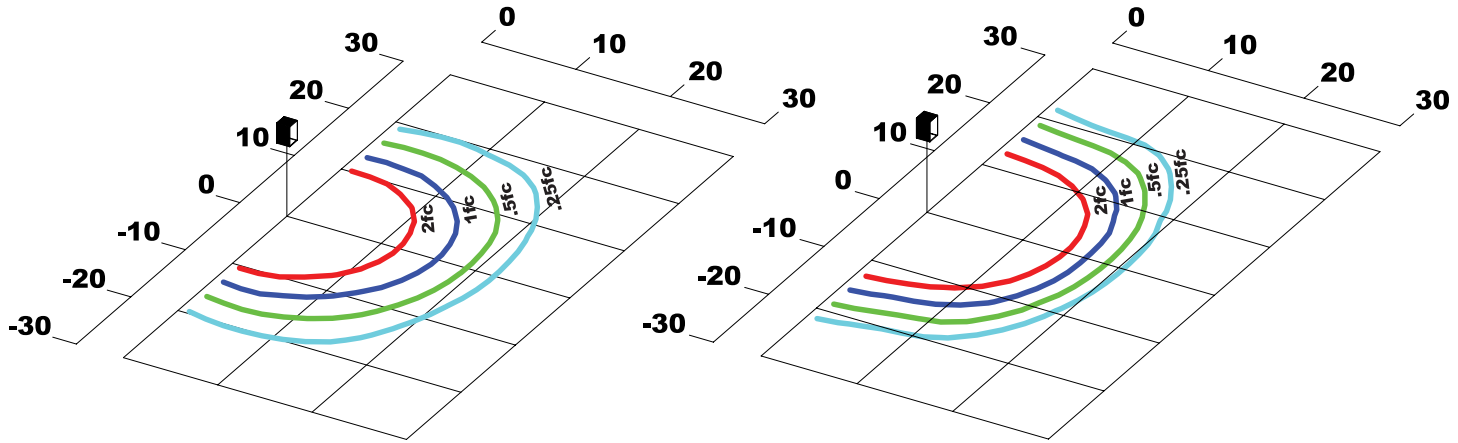
Small LED Traverse Flood and Wall Light

FXTV2C3 & FXTV2Q

COB TECHNOLOGY • EASYLED TECHNOLOGY • FLOOD LIGHT • WALL LIGHT



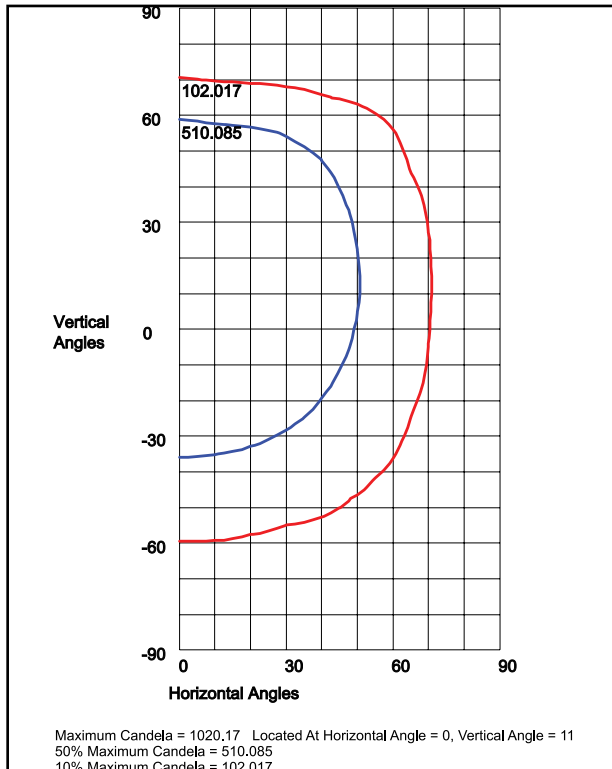
FXTV2C3 & FXTV2Q DISTRIBUTION FOR WALL APPLICATIONS



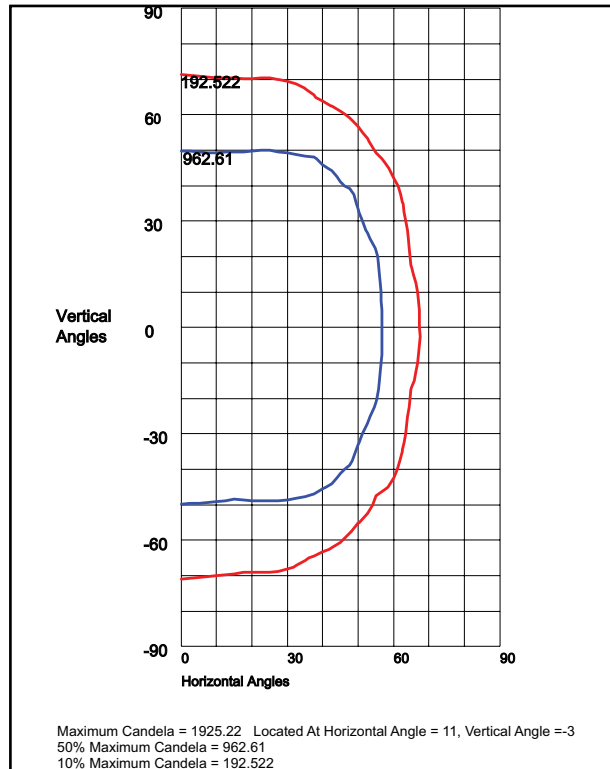
FXTV2C32X10U41K
Type II
Grid in MH
MH=10 Feet

FXTV2C32X20U41K
Type II
Grid in MH
MH=10 Feet

FXTV2C3 & FXTV2Q DISTRIBUTION FOR FLOOD APPLICATIONS



FXTV2C32X10U41K
110°H x 100°V Beam, NEMA 7H x 6V



FXTV2C32X20U41K
100°H x 90°V Beam, NEMA 7H x 6V

FXLSolutions.com • (800) 533-2789 • info@FXLSolutions.com

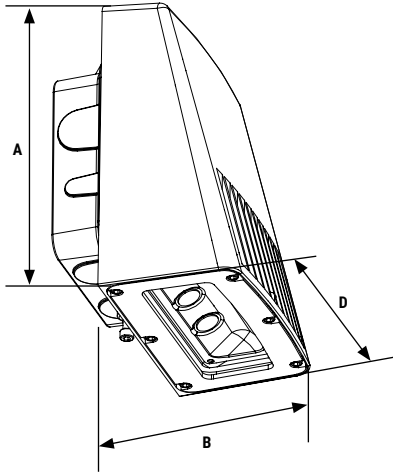
Small LED Traverse Flood and Wall Light

FXTV2C3 & FXTV2Q

COB TECHNOLOGY • EASYLED TECHNOLOGY • FLOOD LIGHT • WALL LIGHT

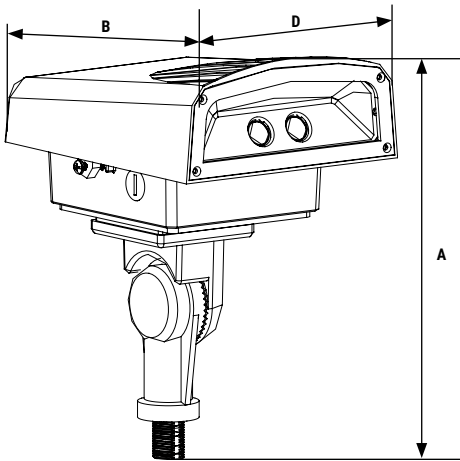


FXTV2C3 & FXT2Q DIMENSIONAL DATA



FXTV2C3 Dimensions

Width (D)	6" (152mm)
Height (A)	7 $\frac{3}{8}$ " (200mm)
Length (B)	5 $\frac{1}{8}$ " (130mm)



FXTV2C3 with Knuckle Dimensions

Width (D)	6" (152mm)
Height (A)	9 $\frac{1}{4}$ " (235mm)
Length (B)	7 $\frac{3}{8}$ " (200mm)

FXLSolutions.com • (800) 533-2789 • info@FXLSolutions.com