

# EasyLED Round & Square Pillar Tops

## FXB1PTQ, FXB1BPTQ, FXB2PTQ & FXB2CPTQ



SOFTLED • BOLLARD • PILLAR TOP

The EasyLED Pillar Top luminaires with UV-stabilized polycarbonate lenses and sealed optical compartments are designed to replace HID lighting systems up to 70w MH or HPS. These fixtures are designed for use on pillars, columns, fences, railings and other outdoor structures. Ideal for use in retail centers, schools and universities, office buildings, apartments and condominium complexes, and residential areas.

### HOUSING:

Die Cast Aluminum Housing with Flush Mounting Base, Flat, Dome and Pyramid Top, Internal Driver Tray for Easy Maintenance. 1/2" Coin Plugs for Conduit Entry.

### LISTING & RATINGS:

ETL: Listed for Wet Locations, ANSI/UL 1598, 8750; IP66 Sealed LED Compartment.

### FINISH:

Textured Powdercoat Finish Over a Chromate Conversion Coating. Custom Colors Available Upon Request.

### REFLECTOR:

Reflective White UV-Stabilized Polycarbonate Cone Reflector

### LENS:

Clear UV-Stabilized Polycarbonate or SoftLED LumaLens Opal UV-Stabilized Polycarbonate Vandal-Resistant Lens.

### MOUNTING OPTIONS:

Flush Mount on Flat Surfaces. Cast-In Electrical Box Template with 1/2" Coin Plug on Bottom.

### EASYLED LED:

Aluminum Boards

### WATTAGE:

Array: 16w, System: 17.7w (up to 70w HID equivalent)  
 Array: 23w, System: 24.8w (up to 70w HID equivalent)  
 Array: 34w, System: 37.2w (up to 70w HID equivalent)

### DRIVER

Electronic Driver, 120-277V, 50/60Hz or 347V, 50/60Hz; Less Than 20% THD and PF>0.90. Standard Internal Surge Protection 2kV. 0-10V Dimming Standard for a Dimming Range of 100% to 10%; Dimming Source Current is 150 Microamps.

### LIFESPAN:

L70>187,000 Hours

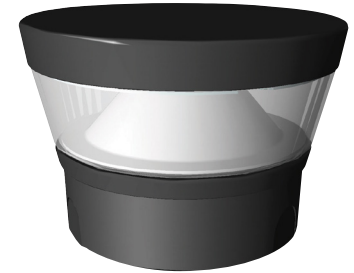
### WARRANTY:

5-Year Warranty for -20°C to +40°C Environment.

See Page 2 for Projected Lumen Maintenance Table.



FXB1BPTQ  
Round Dome Pillar Top



FXB1PTQ  
Round Flat Pillar Top



FXB2CPTQ  
Square Pyramid Pillar Top



FXB2PTQ  
Square Flat Pillar Top



**PROJECT INFORMATION:**

Project Name:	Fixture Type:
Complete Catalog #:	Date:
Comments:	

FXLSolutions.com • (800) 533-2789 • info@FXLSolutions.com

# EasyLED Round & Square Pillar Tops

## FXB1PTQ, FXB1BPTQ, FXB2PTQ & FXB2CPTQ



SOFTLED • BOLLARD • PILLAR TOP

We have custom and standard manufacturing options. Use this form to build your part number or reach out to our sales team for assistance.

**GET YOUR PRODUCTS FASTER WITH OUR QUICK SHIP PROGRAM**

Multiple USA locations = 98-3-1 Quick Ship Program  
98% Fill Rate – 3 Day Lead Time – 1 Piece Minimum Order

### ORDER EXAMPLE

Optics  
FXB1PTQ  
Series
Optics  
F
Wattage  
1X34
Driver  
U
CCT  
4K
Lens  
C
Color  
Z
Options  
SF

### ORDER CONFIGURATION

Series	Optics	Wattage	Driver	CCT	Lens	Color	Options
FXB1PTQ=Round Flat Pillar Top FXB1BPTQ=Round Dome Pillar Top FXB2PTQ=Square Flat Pillar Top FXB2CPTQ=Square Pyramid Pillar Top	F=Wide Beam Spread	1X16=16w 1X23=23w 1X34=34w	U=120-277V C=347V* H=347-480V*  *23w Model Only *34w Model Only	3K=3000K 4K=4000K	C=Clear UV-Stabilized Polycarbonate Vandal-Resistant Lens L=SoftLED LumaLens Opal UV-Stabilized Polycarbonate Vandal-Resistant Lens	Z=Bronze B=Black C=Custom (Consult Factory)	SF=Single Fuse* DF=Double Fuse* SP=Surge Protection  *120-277V Models Only.
	F						

### FXB1PTQ PHOTOMETRIC DATA

	Wattage (Catalog Logic)	16W(1X16)	23W (1X23)	34W(1X34)
		Input Watts	17.7W	24.8W
Lumen Package	CCT	Delivered Lumens		
FXB1PTQ Clear Polycarbonate Type V Optic	3000K	1,406	1,968	2,952
	4000K	1,525	2,135	3,202
	BUG Rating	B1-U3-G1	B1-U3-G1	B1-U3-G1
FXB1PTQ LumaLens Type V Optic	3000K	899	1,258	1,888
	4000K	975	1,365	2,047
	BUG Rating	B1-U3-G1	B1-U3-G1	B1-U4-G2

### FXB2PTQ PHOTOMETRIC DATA

	Wattage (Catalog Logic)	16W(1X16)	23W (1X23)	34W(1X34)
		Input Watts	17.7W	24.8W
Lumen Package	CCT	Delivered Lumens		
FXB2PTQ Clear Polycarbonate Type V Optic	3000K	1,432	2,005	3,008
	4000K	1,554	2,175	2,175
	BUG Rating	B1-U3-G1	B1-U3-G1	B1-U4-G1
FXB2PTQ LumaLens Type V Optic	3000K	864	1,210	1,816
	4000K	938	1,313	1,969
	BUG Rating	B0-U3-G1	B1-U3-G1	B1-U4-G2

### FXB1PTQ & FXB2PTQ PROJECTED LUMEN MAINTENANCE

Data shown for 4000 CCT		Compare to MH				
TM-21-11	Input Watts	Initial	25,000 Hrs	50,000 Hrs	100,000 Hrs	Calculated LED Life
L70 Lumen Maintenance @ 25°C / 77°F	All wattages up to and including 34w	1.00	0.96	0.92	0.84	187,000
L70 Lumen Maintenance @ 50°C / 122°F		1.00	0.93	0.87	0.73	113,000
L80 Lumen Maintenance @ 40°C / 104°F		1.00	0.97	0.93	0.86	144,000

**NOTES:**

1. Projected per IESNA TM-21-11. Data references the extrapolated performance projections for the base model in a 25°C ambient, based on 10,000 hours of LED testing per IESNA LM-80-08.
2. Compare to MH box indicates suggested Light Loss Factor (LLF) to be used when comparing to Metal Halide (MH) systems.

FXLSolutions.com • (800) 533-2789 • info@FXLSolutions.com

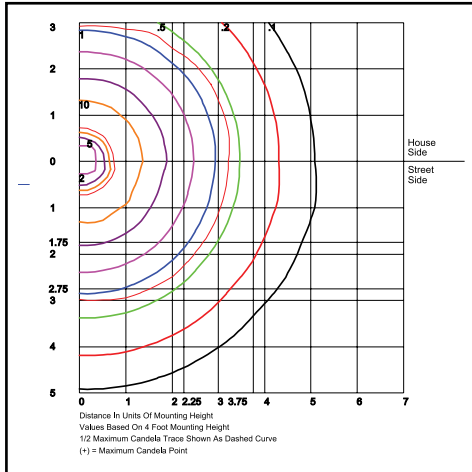
# EasyLED Round & Square Pillar Tops

## FXB1PTQ, FXB1BPTQ, FXB2PTQ & FXB2CPTQ

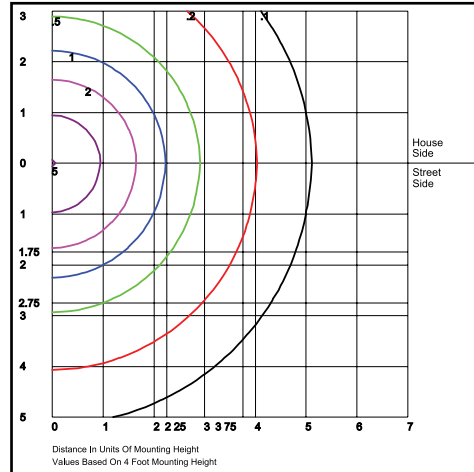


SOFTLED • BOLLARD • PILLAR TOP

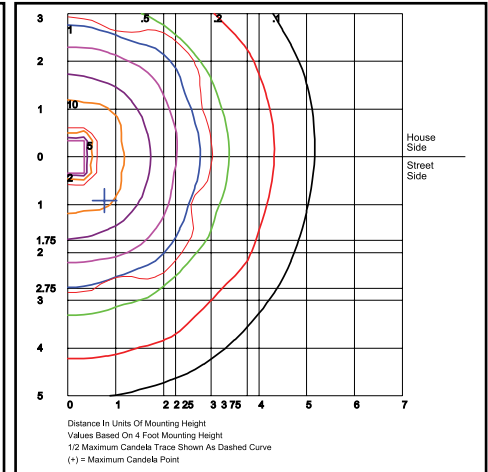
### FXB1PTQ & FXB2PTQ DISTRIBUTION



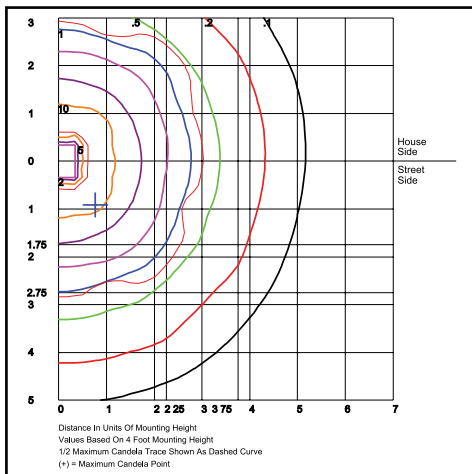
**FXB1PTQF1X34U4KC & FXB1BPTQF1X34U4KC**  
**Type V, Clear Lens**  
 Grid in feet, Mounting Height = 4 ft.



**FXB1PTQF1X34U4KL & FXB1BPTQF1X34U4KL**  
**Type V, LumaLens**  
 Grid in feet, Mounting Height = 4 ft.



**FXB2PTQF1X34U4KC & FXB2CPTQF1X34U4KC**  
**Type V, Clear Lens**  
 Grid in feet, Mounting Height = 4 ft.



**FXB2PTQF1X34U4KL & FXB2CPTQF1X34U4KL**  
**Type V, LumaLens**  
 Grid in feet, Mounting Height = 4 ft.

FXLSolutions.com • (800) 533-2789 • info@FXLSolutions.com

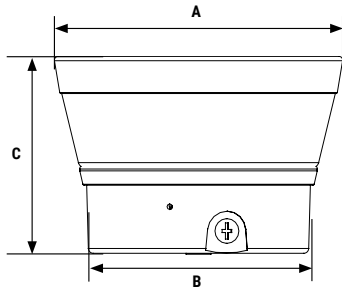
# EasyLED Round & Square Pillar Tops

## FXB1PTQ, FXB1BPTQ, FXB2PTQ & FXB2CPTQ



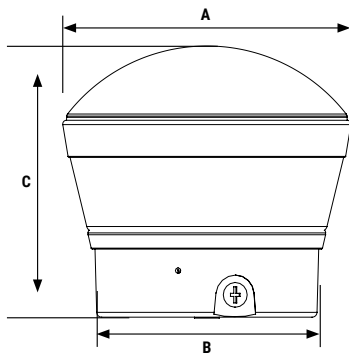
SOFTLED • BOLLARD • PILLAR TOP

### FXB1PTQ & FXB2PTQ DIMENSIONAL DATA



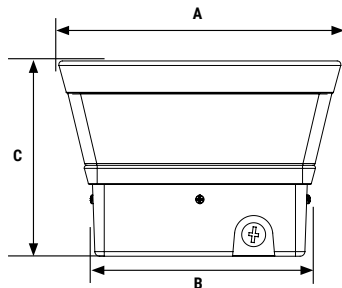
#### FXB1PTQ Round Flat Pillar Top Dimensions

Diameter (A)	9 $\frac{1}{8}$ " (233mm)
Diameter (B)	7" (178mm)
Height (C)	6 $\frac{1}{4}$ " (159mm)



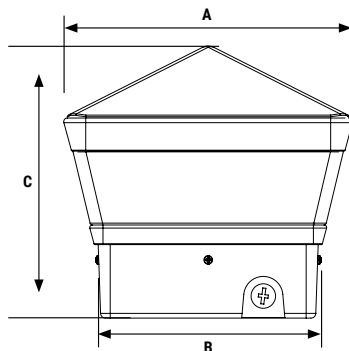
#### FXB1BPTQ Round Flat Dome Pillar Dimensions

Diameter (A)	9 $\frac{1}{8}$ " (233mm)
Diameter (B)	7" (178mm)
Height (C)	8 $\frac{1}{8}$ " (219mm)



#### FXB2PTQ Square Flat Pillar Top Dimensions

Length <sup>2</sup> (A)	9 $\frac{1}{4}$ " (236mm)
Length <sup>2</sup> (B)	7" (178mm)
Height (C)	6 $\frac{3}{8}$ " (162mm)



#### FXB2CPTQ Square Pyramid Pillar Top Dimensions

Length <sup>2</sup> (A)	9 $\frac{1}{8}$ " (233mm)
Length <sup>2</sup> (B)	7" (178mm)
Height (C)	8 $\frac{1}{8}$ " (219mm)

FXLSolutions.com • (800) 533-2789 • info@FXLSolutions.com