

Aluminum Edgelit Exit Sign

ELEXS

EMERGENCY & EXIT LIGHTING



The FX Lighting Aluminum Edgelit Exit Sign provides superior aesthetics required for specification grade applications such as medical facilities and Class A office spaces.

HOUSING:

Premium-grade, extruded aluminum housing (also available in optional black or white powder-coated finishes.) Self-adhesive Chevron appliques and guide template provided for directional indication.

LISTINGS & RATINGS:

Meets UL924, NFPA 101 Life Safety Code, NEC, OSHA, Local and State Codes. UL Listed for damp locations (0°C - 50°C). Certified to CEC under Title 20 Regulations.

MOUNTING:

Aluminum mounting canopy included for top, end or back mount.

ILLUMINATION:

Ultra bright, energy efficient, long life Red or Green LEDs. UV-stabilized ultra-clear acrylic edgelit panel provides consistent, uniform illumination. Double face utilizes factory installed silver or white mylar background panel.

ELECTRICAL:

Dual 120/277V. Charge rate/power "ON" LED indicator light and push-to-test switch for mandated code compliance testing. 4.8V long life, maintenance-free, rechargeable NiCd battery. Internal solid-state transfer switch automatically connects the internal battery to LED board for minimum 90-minute emergency illumination. Fully automatic solid-state, two-rate charger initiates battery charging to recharge a discharged battery in 24 hours.

LIFESPAN:

LED long life hours.

WARRANTY:

Five year warranty on all electronics and housing. Battery pro-rated for five years.



Wall, Ceiling and End Mount Available:



Ceiling Mount



End Mount



Wall Mount



PROJECT INFORMATION:

Project Name: _____ Fixture Type: _____

Complete Catalog #: _____ Date: _____

Comments: _____

FXLSolutions.com • (800) 533-2789 • info@FXLSolutions.com

Aluminum Edgelit Exit Sign

ELEXS

EMERGENCY & EXIT LIGHTING



A QSSI Company Since 1985

We have custom and standard manufacturing options. Use this form to build your part number or reach out to our sales team for assistance.

ORDER EXAMPLE

ELEXS

Series

No. of Heads

2

Panel

W

R

Letter Color

B

Housing Color

Battery

EM

SDT

Options

ORDER CONFIGURATION

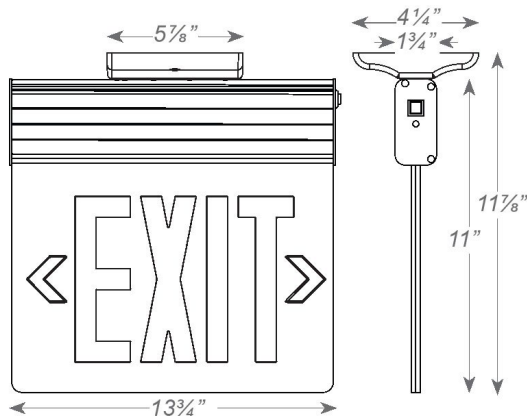
Series	No. of Heads	Letter Color	Panel	Housing Color	Battery	Options
ELEXS=Aluminum Edgelit Exit Sign	1=Single Face 2=Double Face	R=Red G=Green	C=Clear ¹ M=Mirror W=White	W=White B=Black A=Aluminum	(blank)=AC Only EM=Battery Backup	2C-120=Dual Circuit with 120V Input ² 2C-277=Dual Circuit with 277V Input ² SDT=Self-Diagnostics ³ USA=Assembled in the USA SPV=208/220/240 Volt, 50/60HZ ⁴ CUSTOM=Custom Wording
ELEXS						

NOTES: 1. Available with single face only. 2. Available only with AC units. 3. Available only with EM units. 4. Not available with SDT.

ELEXS ELECTRICAL INFORMATION

Model Number	Input Watts (W)					Input Amps (A)				
	120V	208V	220V	240V	277V	120V	208V	220V	240V	277V
ELEXS - Red or Green, AC Only or Battery Backup, With or Without SPV	3.6	3.9	3.93	3.98	4.0	0.030	0.022	0.022	0.022	0.020
ELEXS - Red or Green, with SDT or 2C Options	3.6	-	-	-	4.0	0.030	-	-	-	0.020

ELEXS DIMENSIONAL DATA



FXLSolutions.com · (800) 533-2789 · info@FXLSolutions.com