

LED High Performance Emergency Thermoplastic Unit

EHPEM

EMERGENCY & EXIT LIGHTING



HOUSING:

Injection-molded, engineering grade, 5VA flame retardant, high-impact resistant, thermoplastic in white or black finish.

LISTINGS & RATINGS:

Meets UL924, NFPA 101, Life Safety Code, NEC, OSHA, Local and State Codes. UL Listed for damp locations (0°C – 50°C). Certified to CEC under title 20 regulations.

MOUNTING:

Universal knockout pattern on back plate for surface mount. Knockouts provided for conduit feed applications. Suitable for wall or ceiling mount.

ILLUMINATION:

Ultra-bright, energy efficient, long-life White LED adjustable lamp heads provide up to 100-ft center-to-center spacing with a 3-ft path of egress at 7-1/2-ft mounting height. High performance chrome-plated metalized reflector and plastic lens. 5.0 watt (12 LEDs x 0.42 watt) per head.

ELECTRICAL:

Universal 120-277 voltage. Unique bi-color LED indicator light alerts occupant on battery condition (Green-normal, Red-check battery). Charge rate/power "ON" LED indicator light and push-to-test switch for mandated code compliance testing. 9.6V long-life, maintenance-free, rechargeable lithium iron phosphate battery. Remote capacity of 3.0 watts standard. Internal solid-state transfer switch automatically connects the internal battery to LED lamp heads for minimum 90-minute emergency illumination. Fully automatic solid-state, two rate charger initiates battery charging to recharge a discharged battery in 24 hours.

LIFESPAN:

LED long life hours.

WARRANTY:

Five year warranty on all electronics and housing. Battery pro-rated for five years.



PROJECT INFORMATION:

Project Name: _____ Fixture Type: _____

Complete Catalog #: _____ Date: _____

Comments: _____

FXLSolutions.com • (800) 533-2789 • info@FXLSolutions.com

LED High Performance Emergency Thermoplastic Unit

EHPEM

EMERGENCY & EXIT LIGHTING

We have custom and standard manufacturing options. Use this form to build your part number or reach out to our sales team for assistance.

ORDER EXAMPLE

EHPEM

Series

Housing Color

W

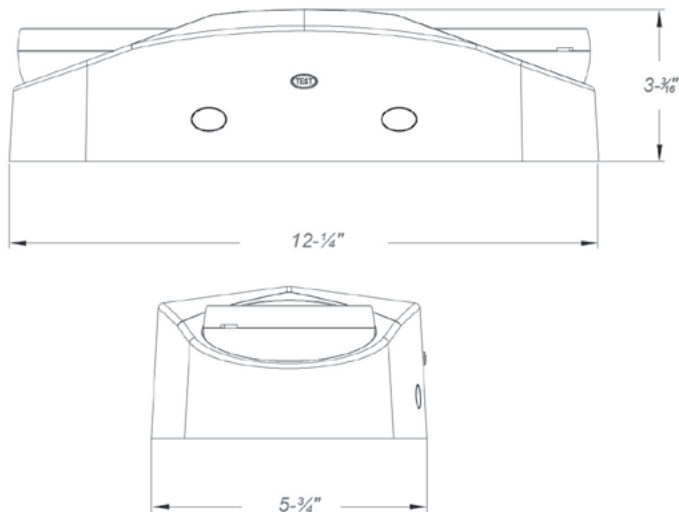
SDT

Options

ORDER CONFIGURATION

Series	Housing Color	Options
EHPEM-LED High Performance Emergency Thermoplastic Unit	W=White B=Black	SDT= Self Diagnostics
EHPEM		

EHPEM DIMENSIONAL DATA



FXLSolutions.com • (800) 533-2789 • info@FXLSolutions.com