

Thermoplastic Mini Indoor LED Remote Heads

EERH

EMERGENCY & EXIT LIGHTING



The FX Lighting Thermoplastic Mini Indoor LED Remote Heads designed for use as a part of an emergency lighting system in indoor applications to provide code-compliant path of egress lighting.

HOUSING:

Injection-molded, engineering grade, 5VA flame retardant, high-impact resistant, thermoplastic in white or black finish.

LISTINGS & RATINGS:

Meets UL924, NFPA 101 Life Safety Code, NEC, OSHA, Local and State Codes. UL Listed for damp locations (0°C- 40°C).

MOUNTING:

Universal mounting adapter plate included with mounting hardware. Distance of maximum run is determined by system voltage, wire gauge and total maximum wattage on the run. Suitable for wall or ceiling mount.

ILLUMINATION:

Adjustable long lasting, efficient ultra-bright white LED lamp heads. Unique all-inclusive 0.5W lamp, reflector and lens assembly per lamp head.

ELECTRICAL:

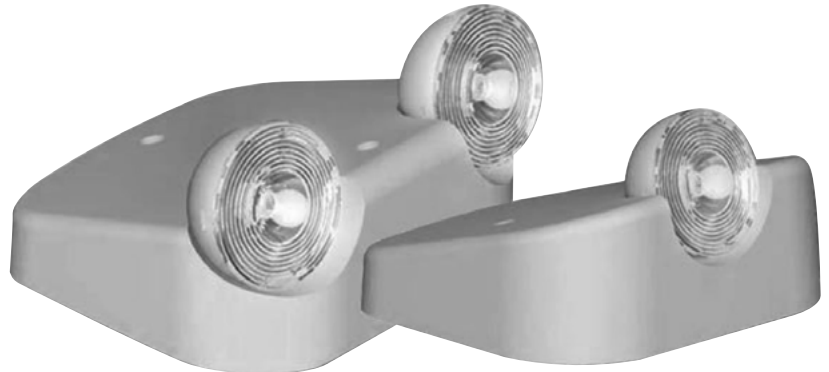
Powered from external 3.6 volt power source with low voltage wiring (not provided).

LIFESPAN:

LED long life hours.

WARRANTY:

Five year warranty.



PROJECT INFORMATION:

Project Name: _____ Fixture Type: _____

Complete Catalog #: _____ Date: _____

Comments: _____

FXLSolutions.com • (800) 533-2789 • info@FXLSolutions.com

Thermoplastic Mini Indoor LED Remote Heads

EERH

EMERGENCY & EXIT LIGHTING

We have custom and standard manufacturing options. Use this form to build your part number or reach out to our sales team for assistance.

ORDER EXAMPLE

EERH

Series

No. of Heads

2

B

Housing Color

Voltage

3.6V

ORDER CONFIGURATION

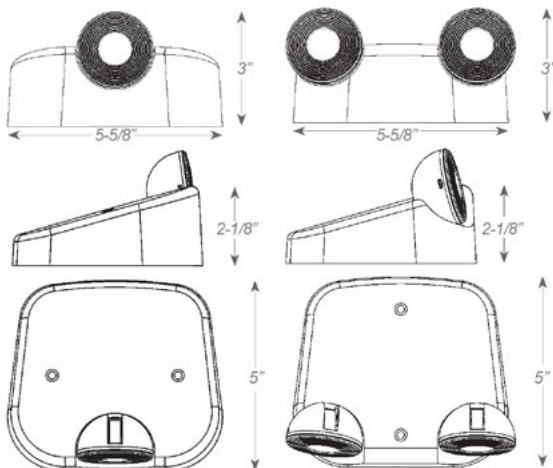
Series	No. of Heads	Housing Color	Voltage
EERH=Thermoplastic Mini Indoor LED Remote Heads	1=Single Head 2=Double Head	(blank)=White B=Black	3.6V=For Use with 3.6V Batteries
EERH			

EERH ELECTRICAL INFORMATION

Fixture Compatibility:

EERH	3.6V
EZLP-RC	X
EELP-RC	X
EEXSC-RC	X

EERH DIMENSIONAL DATA



FXLSolutions.com • (800) 533-2789 • info@FXLSolutions.com