

AmberLED Constellation Medium Full Cutoff Wall Pack

FXWPC15Q

AMBERLED • WALL LIGHT • FULL CUTOFF



The AmberLED FXWPC15Q cut-off wall pack luminaire is available in an IES Type V distribution designed to replace HID lighting systems 175w to 250 MH or HPS for wildlife, dark skies, or security applications requiring monochromatic AMBER light. LEDs operate between 585 and 595 nm, greater than 560nm required for wildlife protection. Typical wall mounted lighting applications include retail centers, industrial parks, schools and universities, office buildings and medical facilities. Mounting heights of 12 to 18 feet can be used based on light level and uniformity requirements.

HOUSING:

Die Cast Hinged and Gasketed Aluminum Front Frame and Housing with ½" Coin Plugs. Nickel-Plated Stainless Steel Hardware. Photocell Adaptable.

LISTING & RATINGS:

CSA: Listed for Wet Locations, ANSI/UL 1598, 8750; IP65 Sealed LED Compartment.

FINISH:

Textured Architectural Bronze Powdercoat Finish Over a Chromate Conversion Coating. Custom Colors Available Upon Request.

LENS:

Tempered Clear Flat Glass Lens or Tempered Clear Flat Prismatic Glass Lens.

MOUNTING OPTIONS:

Cast-in Template for Mounting Directly Over a 4" Recessed Outlet Box, or Use ½" Surface Conduit.

AMBERLED LED:

Aluminum Boards

WATTAGE:

Array: 37w, System: 40w (250w HID Equivalent)

DRIVER:

Electronic Driver, 120-277V, 50/60Hz or 347-480V, 50/60Hz; Less Than 20% THD and PF>0.90. Standard Internal Surge Protection 6kV. 0-10V Dimming Standard for a Dimming Range of 100% to 10%; Dimming Source Current is 150 Microamps.

CONTROLS:

Fixtures Ordered with Factory-Installed Photocell or Motion Sensor Controls are Internally Wired for Switching and/or 1-10V Dimming Within the Housing. Remote Direct Wired Interface of 1-10V Dimming is Not Implied and May Not Be Available, Please Consult Factory. Fixtures are Tested with FX Lighting Controls and May Not Function Properly With Controls Supplied By Others. Fixtures are NOT Designed for Use with Line Voltage Dimmers.

LIFESPAN:

L70>213,000 Hours

WARRANTY:

5-Year Warranty for -40°C to +40°C Environment.

See Page 3 for Projected Lumen Maintenance Table.



PROJECT INFORMATION:	
Project Name:	Fixture Type:
Complete Catalog #:	Date:
Comments:	

FXLSolutions.com • (800) 533-2789 • info@FXLSolutions.com

AmberLED Constellation Medium Full Cutoff Wall Pack

FXWPC15Q

AMBERLED • WALL LIGHT • FULL CUTOFF



We have custom and standard manufacturing options. Use this form to build your part number or reach out to our sales team for assistance.

GET YOUR PRODUCTS FASTER WITH OUR QUICK SHIP PROGRAM

Multiple USA locations = 98-3-1 Quick Ship Program

98% Fill Rate – 3 Day Lead Time – 1 Piece Minimum Order

ORDER EXAMPLE

FXWPC15Q Series	<u>Optics</u> F	<u>Wattage</u> 1X37	<u>Driver</u> U	<u>CCT</u> AM	<u>Lens</u> C	<u>Color</u> Z	<u>Options</u> SP
---------------------------	---------------------------	-------------------------------	---------------------------	-------------------------	-------------------------	--------------------------	-----------------------------

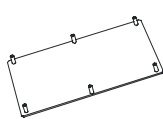
ORDER CONFIGURATION

Series	Optics	Wattage	Driver	CCT	Lens	Color	Options
FXWPC15Q=AmberLED Constellation Medium Full Cutoff Wall Pack	F=Type V	1X37=37w	U=120-277V H=347-480V	AM=1400K	C=Clear Flat Glass Lens P=Clear Flat Prismatic Glass Lens	Z=Bronze C=Custom (Consult Factory)	SF=Single Fuse* DF=Double Fuse* SP=Surge Protection PC3=Photocell, 120-277VAC BU=Battery Backup, 90 Minutes* BUC=Cold Start Battery Backup, -20°C, 90 Minutes* *120-277V Models Only.
FXWPC15Q	F	1X37		AM			

Accessories

(Order Separately, Field Installed)

Options	Description
FXWPC15LG	Clear UV-Stabilized Polycarbonate Vandal Resistant Guard, Includes Hardware.
FXWPC15WG	Wire Guard, Stainless Steel Construction, Includes Hardware.
FXWPC15BFZ	Baffle, Aluminum with Bronze Powdercoat Finish



FXWPC15LG

*Shown Mounted



FXWPC15WG



FXWPC15BFZ*

Replacement Parts

(Order Separately, Field Installed)

Options	Description
FXWPC15GLC	Tempered Clear Flat Glass Lens.
FXWPC15GLP	Tempered Prismatic Flat Glass Lens.
FXP18103	120-277VAC Photocell

For Replacement Battery Backup, see the FX Lighting LED Battery Backup Specification Sheet.



FXP18103

FXLSolutions.com • (800) 533-2789 • info@FXLSolutions.com

AmberLED Constellation Medium Full Cutoff Wall Pack

FXWPC15Q

AMBERLED • WALL LIGHT • FULL CUTOFF



AMBER FXWPC15Q PHOTOMETRIC DATA

Wattage (Catalog Logic)		37W (1X37)
Input Watts		40W
Lumen Package	CCT	Delivered Lumens
FXWPC15Q Type V	Amber	1,279
	BUG Rating	B1-U1-G0

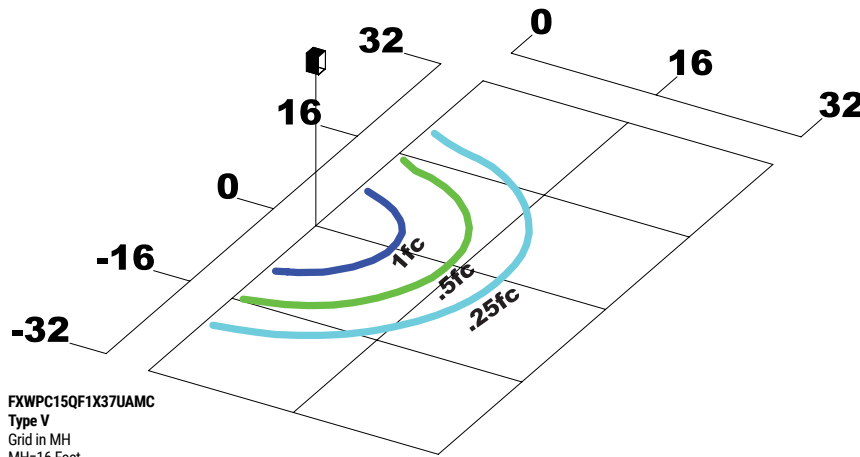
AMBER FXWPC15Q PROJECTED LUMEN MAINTENANCE

Data shown for Amber LEDs	Input Watts	Initial	Compare to MH			Calculated LED Life
			TM-21-11	25,000 Hrs	50,000 Hrs	
L70 Lumen Maintenance @ 25°C / 77°F	40	1.00	0.96	0.93	0.86	213,000
L70 Lumen Maintenance @ 50°C / 122°F		1.00	0.93	0.87	0.73	113,000
L80 Lumen Maintenance @ 40°C / 104°F		1.00	0.95	0.89	0.78	91,000

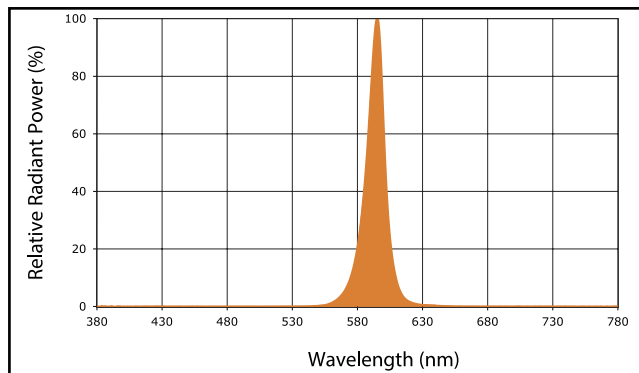
NOTES:

1. Projected per IESNA TM-21-11. Data references the extrapolated performance projections for the base model in a 25°C ambient, based on 10,000 hours of LED testing per IESNA LM-80-08.
2. Compare to MH box indicates suggested Light Loss Factor (LLF) to be used when comparing to Metal Halide (MH) systems.

AMBER FXWPC15Q DISTRIBUTION



AMBER FXWPC15Q SPECTRAL CHART



FXLSolutions.com • (800) 533-2789 • info@FXLSolutions.com

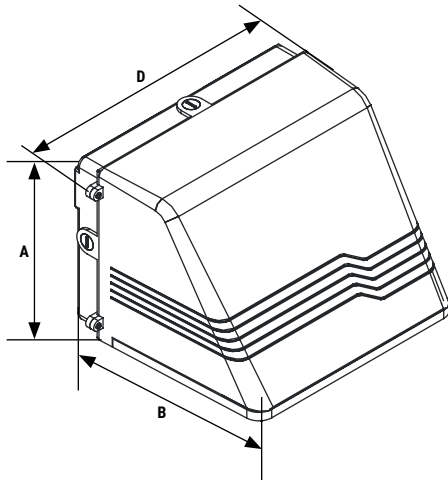
AmberLED Constellation Medium Full Cutoff Wall Pack

FXWPC15Q

AMBERLED • WALL LIGHT • FULL CUTOFF

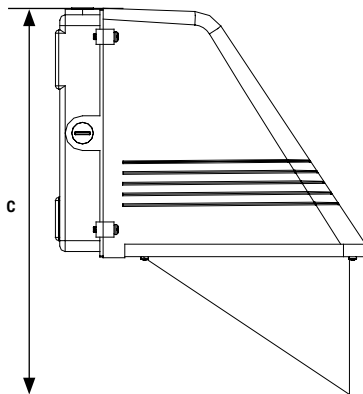


AMBER FXWPC15Q DIMENSIONAL DATA



FXWPC15Q Dimensions

Width (D)	14 $\frac{1}{4}$ " (362mm)
Length (B)	11 $\frac{3}{8}$ " (289mm)
Height (A)	9 $\frac{1}{8}$ " (232mm)



FXWPC15Q with Baffle Dimensions

Height (C)	14" (356mm)
------------	-------------

FXLSolutions.com • (800) 533-2789 • info@FXLSolutions.com