

ULTRA™

NSF 2 • IP66 • HIGH-BAY



FX
LIGHTING™
A QSSI Company Since 1985



FOOD & BEVERAGE
PROCESSING



MANUFACTURING
& DISTRIBUTION



POULTRY & LIVESTOCK
FARMING

The Ultra is designed for the harsh environments found in heavy industrial manufacturing, cold storage, food processing, warehouse and distribution facilities. The IP66 waterproof rated fixture can operate in extreme temperatures ranging from -40 to 131°F. This fixture is ideal for new construction or upgrading existing linear fluorescent and HID high-bay fixtures.



U.S. Patent No. 10,895,351

PERFORMANCE

LUMEN OUTPUT	16,000-24,000 lumens
LIFESPAN	L70 > 72,000 Hours
AMBIENT TEMPERATURE	-40°F to 131°F (-40°C to 55°C)
WARRANTY	5 Year
EFFICACY	Up to 160 LPW
POWER WASHING	Up to 1600 PSI

ELECTRICAL

OPERATING VOLTAGE	120-277V
INPUT FREQUENCY	50/60Hz
INPUT WATTAGE	100-150W
SURGE PROTECTION	4 kV (10kV or 20kV optional)
DIMMING	0-10V
POWER INPUT	Standard 6' Yellow Cable (5-conductor wire to pigtails) (Black, White, Green, Purple, Gray)

CONSTRUCTION

IP RATING	IP66
IK RATING	IK10
DIMENSIONS	5.4"H x 17.9"W
HOUSING	Die Casted Aluminum Alloy
FINISH	Common Epoxy Resin Powder Coat
LENS	Polycarbonate (Not Recommended for Alkaline Industrial Cleaners)

OPTICAL

CRI	≥80
CCT	4000K, 5000K
BEAM ANGLE	90°

PROJECT

CATALOG CODE

TYPE

NOTES



Not all product variations listed on this page are DLC qualified.
Visit www.designlights.org/searchto to confirm.

EMERGENCY BATTERY BACKUP

Option for ULTRA 16L/100W and 24L/150W fixtures:

- Minimum 90-Minute Duration
- 16W 2560 Lumen Maximum Based on Fixture Wattage
- Temperature Range from 50° to 122°F (10° to 50°C)



NSF 2 – FOOD SPLASH ZONE

An ETL Sanitation Mark on Food Service Equipment indicates that equipment is tested to ANSI/NSF 2 is fit for use in the production of food intended for human consumption, or the equipment is fit for use in an environment where food intended for human consumption is produced.

FXLSolutions.com • (800) 533-2789 • info@FXLSolutions.com

ULTRA™

NSF 2 • IP66 • HIGH-BAY

ORDERING INFORMATION

We have custom and standard manufacturing options. Use this form to build your part number or reach out to our sales team for assistance.

GET YOUR PRODUCTS FASTER WITH OUR QUICKSHIP PROGRAM

ULTA24LMDMV50K80RMG ships same day, if order received by 12 PM EST. Standard delivery time applies. Our QuickShip ULTRA features:

LUMEN PKG	24,000 lumens	COLOR TEMP	5000K	MOUNTING	Ring Mount
DISTRIBUTION	Medium (90°)	CRI	80 CRI	FINISH	Gray
VOLTAGE	120-277V				

ORDER EXAMPLE

ULTA	24L	MD	MV	SP2	S4	50K	80	RM	G	P5
Series	Lumen PKG	Distribution	Voltage	Internal Surge Protector	Control Option	Color Temp	CRI	Mounting	Finish	Options & Plugs

ORDER CONFIGURATION

STANDARD VALUES

Series	Lumen PKG	Distribution	Voltage	Integral Surge Protector (SP) Option	Control Option	Color Temp	CRI	Mounting	Finish
ULTA	16L 16,000 lumens	MD Medium (90°)	MV 120-277v	Blank Standard SP 4kV	Blank No Controls	40K 4000 K	80 80 CRI	RM Ring Mount (Included Standard)	G Gray
	24L 24,000 lumens			SP 10kV SP 120-277V SP2 20kV SS 120-277V	S3 Microwave Sensor with Dimming for Mounting Heights of 8' to 40' S4 Microwave On/Off Motion Sensor for Mounting Heights of 8' to 18'	50K 5000 K		HK Hook Mount PM Pendant Mount	W White* *Model specific, please contact factory
ULTA		MD	MV				80		

OPTIONS

Options	Description
EM	Emergency Battery Backup *see restrictions*
Y10	5 conductor yellow wire that is 10 feet long
W10	5 Conductor white wire 10 feet long
S10	10' Aircraft Safety Cable

PLUGS

Plugs	Description
P3	3pin Mini Connector Male Plug
5P	120v Plug
L7P	Locking 277v Plug

OPTION VALUE

ORDERING RESTRICTIONS

EM Backup temperature range 10-50C (50-122F)

Plug Options 5P, L7P are not IP rated

Cordset options are only suitable for M3/M5 bulkhead options



FXSolutions.com • (800) 533-2789 • info@FXSolutions.com

Information provided is subject to change. Please verify all details with FX Lighting. All values are designed to standard industry values when measured under laboratory conditions, and FX Lighting makes no warranty or guarantee, expressed or implied, that such performance will be obtained under end-use conditions.

ULTRA™

NSF 2 • IP66 • HIGH-BAY

OPERATING CHARACTERISTICS

ULTRA CHARACTERISTICS

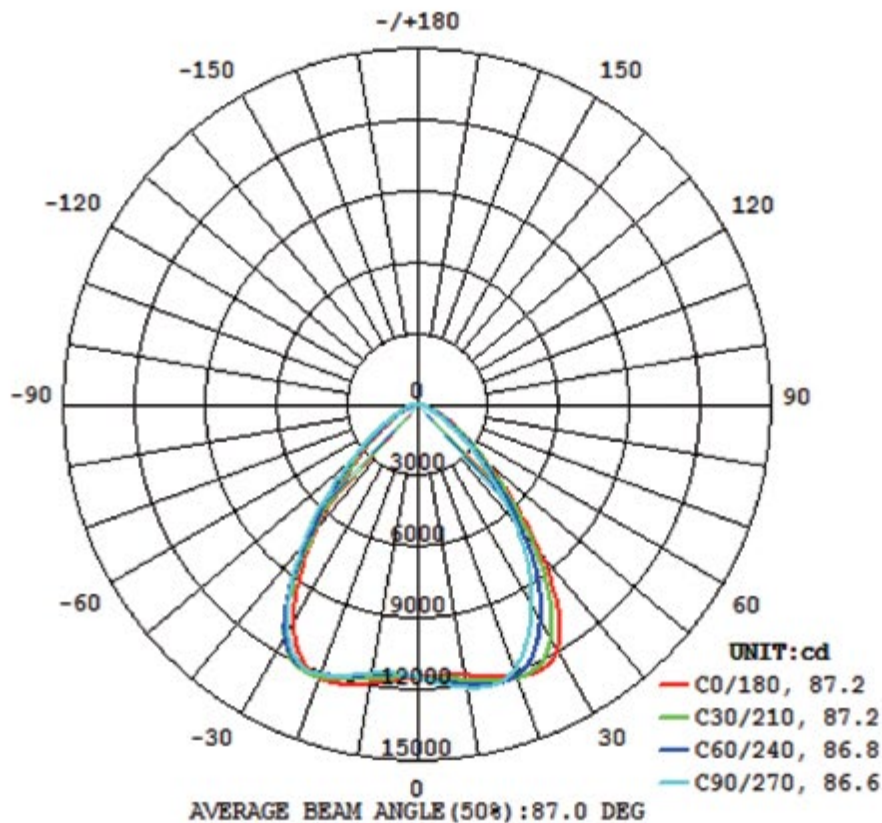
Lumen Package	Wattage	Amp	Dimensions			Comparable Light Source
	277V	277V	Diameter	Depth	Depth with Ring	
16L	97	0.37	17.93"	5.35"	7.37"	250W MH, 6-lamp T8 HBF, 4-lamp T5HO
24L	153	0.58	17.93"	5.35"	7.37"	400W MH, 6-lamp T5HO

AMBIENT TEMPERATURE RATINGS

Lumen Package	Fixture	with MS	with EM
16L 24L	-40°C to 55°C	-40°C to 55°C	10°C to 50°C

ULTRA DISTRIBUTION DIAGRAM

ULTRA MD LIGHT DISTRIBUTION

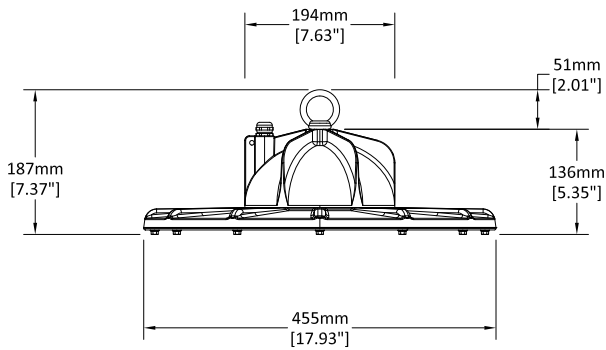


ULTRA™

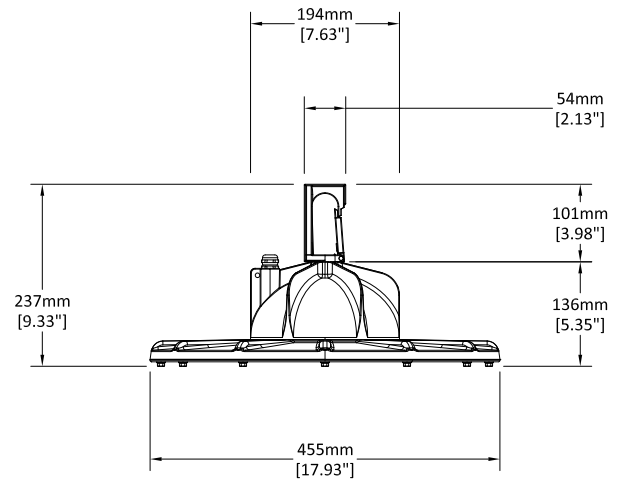
NSF 2 • IP66 • HIGH-BAY

DIMENSIONAL DATA

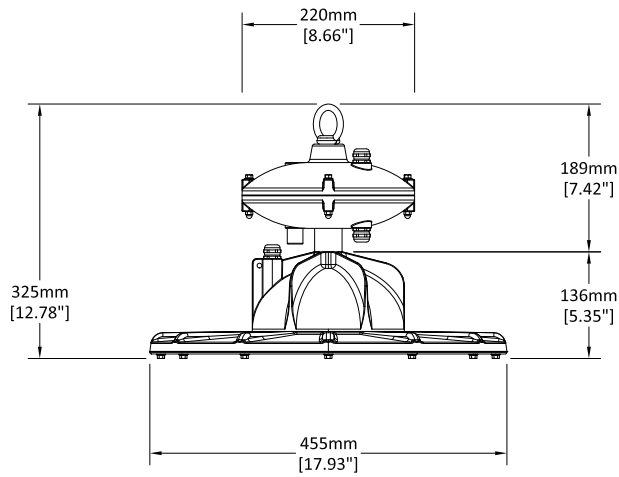
ULTRA WITH RING



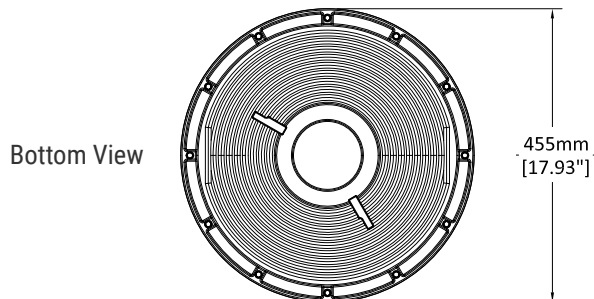
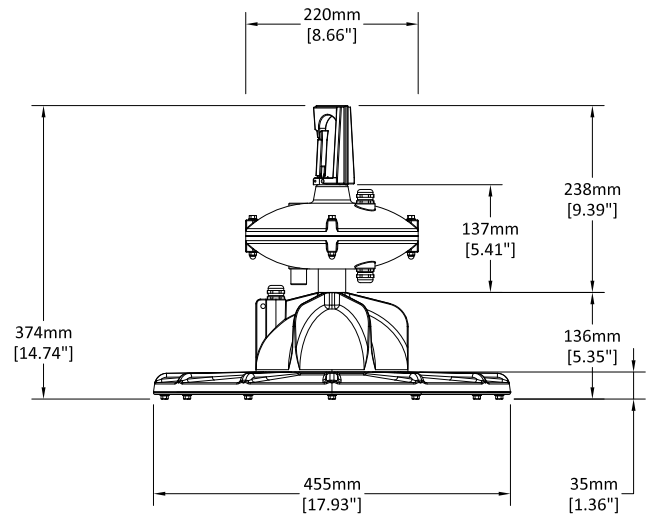
ULTRA WITH HOOK



ULTRA WITH EM AND RING



ULTRA WITH EM AND HOOK



ULTRA WITH PENDANT MOUNT

