

# NOVA™

NSF 2 • IP67 • HIGH-TEMP • HIGH-BAY



**FX**  
LIGHTING™  
A QSSI Company Since 1985



FOOD & BEVERAGE  
PROCESSING



MANUFACTURING  
& DISTRIBUTION



LIVESTOCK  
FARMING

The Nova LED high-bay is a third generation fixture designed by FX Lighting for the harsh environments found in food processing and heavy manufacturing facilities. This industrial grade fixture is an ideal replacement for traditional 400W–1000W metal halide fixtures providing up to 70% energy savings.

## PERFORMANCE

LUMEN OUTPUT	18,000-39,000 lumens
LIFESPAN	L70>178,000 Hours
AMBIENT TEMPERATURE	-40°F to 149°F (-40°C to 65°C)
WARRANTY	5 Years
EFFICACY	Up to 150 LPW
POWER WASHING	ABS Thermoplastic

## ELECTRICAL

OPERATING VOLTAGE	120-277V, 347-480V
INPUT FREQUENCY	50/60Hz
INPUT WATTAGE	120-260W
SURGE PROTECTION	10kV (20kV Optional)
DIMMING	0-10V
POWER INPUT	Standard 10' Yellow Cable (5-conductor wire to pigtails) (Black, White, Green, Purple, Gray)

## CONSTRUCTION

IP RATING	IP67
IK RATING	IK10 (pending)
DIMENSIONS	17"H x 18"W
HOUSING	Die Casted Aluminum Alloy
FINISH	High Efficiency Heat Dissipating Powder Coat
LENS	Shatterproof, Polycarbonate (Not Recommended for Alkaline Industrial Cleaners)
NPT	3/4" Female

## OPTICAL

CRI	≥80
CCT	4000K, 5000K
BEAM ANGLE	90°, 120°



### NSF 2 – FOOD SPLASH ZONE

An ETL Sanitation Mark on Food Service Equipment indicates that equipment is tested to ANSI/NSF 2 is fit for use in the production of food intended for human consumption, or the equipment is fit for use in an environment where food intended for human consumption is produced.



U.S. Patent No. 10900619

## PROJECT

## CATALOG CODE

## TYPE

## NOTES



Not all product variations listed on this page are DLC qualified.  
Visit [www.designlights.org/searchtoconfirm](http://www.designlights.org/searchtoconfirm).

## EMERGENCY BATTERY BACKUP

Option for NOVA fixtures

- Minimum 90-Minute Duration
- 16W 2400 Lumen Maximum Based on Fixture Wattage
- Temperature Range from 50°F to 122°F (10°C to 50°C)
- 120-277V only

FXLSolutions.com • (800) 533-2789 • [info@FXLSolutions.com](mailto:info@FXLSolutions.com)

# NOVA™

NSF 2 • IP67 • HIGH-TEMP • HIGH-BAY

## ORDERING INFORMATION

We have custom and standard manufacturing options. Use this form to build your part number or reach out to our sales team for assistance.

### GET YOUR PRODUCTS FASTER WITH OUR QUICKSHIP PROGRAM

**NOVA23LWDMV50K80HKG** ships same day, if order is received before 12 pm EST. Standard delivery time applies. Our QuickShip NOVA features:

LUMEN PKG	22,500 lumens	COLOR TEMP	5000 K	MOUNTING	Hook Mount
DISTRIBUTION	Wide (120deg)	CRI	80 CRI	FINISH	Gray
VOLTAGE	120-277V				

#### ORDER EXAMPLE

Lumen PKG
Voltage
Control Option
CRI
Finish

**NOVA** **18L** **WD** **MV** **SPH** **S4** **50K** **80** **HK** **G** **P5**

Series
Distribution
Internal Surge Protector
Color Temp
Mounting
Options & Plugs

#### ORDER CONFIGURATION

##### STANDARD ORDERING OPTIONS

Series	Lumen PKG (lumens)	Distribution	Voltage	Internal Surge Protector	Control Option	Color Temp	CRI	Mounting	Finish
NOVA	18L 18,000	MD Medium (90°) <span style="color: green;">▲</span>	MV 120-277v	Blank Standard 6kV	Blank No Controls	40K 4000 K	80 80 CRI	HK Hook Mount (Included Standard)	G Gray
	23L 22,500	WD Wide (120°)	HV 277-480v <span style="color: green;">▲</span>	SP 10kV SP 120-277V	S3 Microwave Sensor with Dimming for Mounting Heights of 8' to 40'	50K 5000 K		PM Pendant Mount Adapter	W White* <small>*Model specific, please contact factory</small>
	30L 30,000 <span style="color: green;">▲</span>			SP2 20kV SP 120-277V					
	39L 39,000			SPH 20kV SP 277-480V					
NOVA							80		

#### OPTIONS

Options	Description
EM	Emergency Battery Backup <small>*see restrictions*</small> <span style="color: green;">▲</span>
Y10	5 conductor yellow wire that is 10 feet long
W10	5 conductor white wire that is 10 feet long
S10	Aircraft Safety Cable 10'

#### PLUGS

Plugs	Description
P3	3pin Mini Connector Male Plug
5P	120v Plug <span style="color: green;">▲</span>
L7P	Locking 277v Plug <span style="color: green;">▲</span>

#### ▲ OPTION VALUE ORDERING RESTRICTIONS

EM Backup is not supported by HV fixtures  
 EM Backup temperature range 10-50°C (50-122°F)  
 Plug options 5P, L7P are not IP rated  
 MD lens option is only IP66 rated



FXLighting.com • (800) 533-2789 • info@FXLighting.com

Information provided is subject to change. Please verify all details with FX Lighting. All values are designed to standard industry values when measured under laboratory conditions, and FX Lighting makes no warranty or guarantee, expressed or implied, that such performance will be obtained under end-use conditions.

# NOVA™

NSF 2 • IP67 • HIGH-TEMP • HIGH-BAY

# OPERATING CHARACTERISTICS

## NOVA CHARACTERISTICS

Lumen Package	Wattage			Amp			Dimensions			Comparable Light Source
	277V	347V	480V	277V	347V	480V	Diameter	Height	Height with Hook	
18L	116	114	115	0.44	0.34	0.25	17.93"	16.97"	20.94"	250W MH, 6-lamp T8 HBF, 4-lamp T5HO
23L	152	150	149	0.56	0.43	0.31	17.93"	16.97"	20.94"	400W MH, 6-lamp T5HO
30L	194	196	195	0.72	0.58	0.42	17.93"	16.97"	20.94"	575W MH, 10-lamp T8 HBF
39L	259	260	256	0.97	0.78	0.55	17.93"	16.97"	20.94"	750W MH, 8-lamp T5HO

## PROJECTED LUMEN MAINTENANCE

NOVA 18L | 23L | 30L | 39L

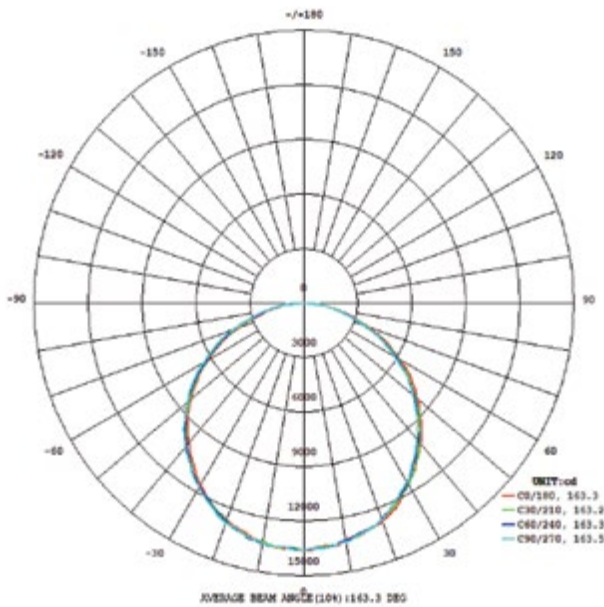
	0	10,000	30,000	50,000	70,000	100,000
OPERATING HOURS						
LUMEN MAINTENANCE FACTOR	1	0.99	0.96	0.92	0.89	0.84

## AMBIENT TEMPERATURE RATINGS

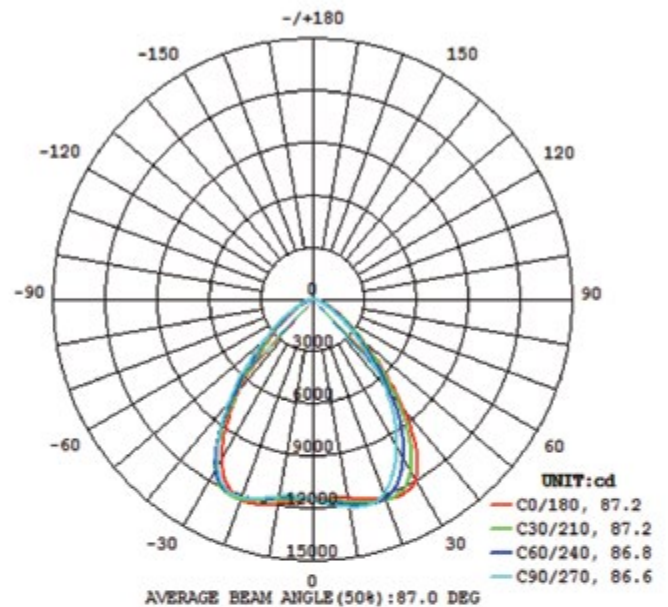
Lumen Package	Fixture	with MS	with EM
18L   23L   30L   39L	-40°C to 65°C	-40°C to 65°C	10°C to 50°C

## NOVA DISTRIBUTION DIAGRAM

NOVA WD LIGHT DISTRIBUTION



NOVA MD LIGHT DISTRIBUTION

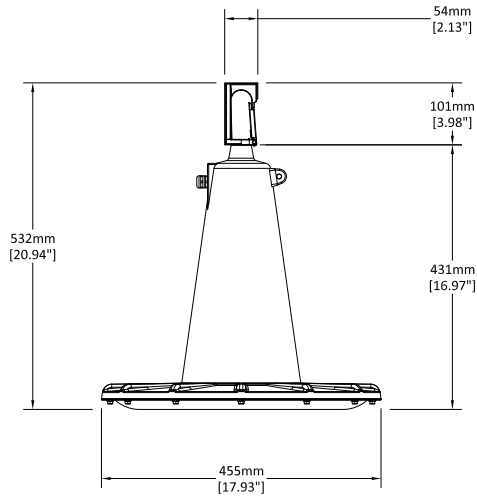


# NOVA™

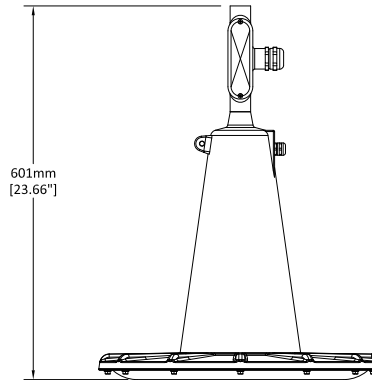
NSF 2 • IP67 • HIGH-TEMP • HIGH-BAY

## DIMENSIONAL DATA

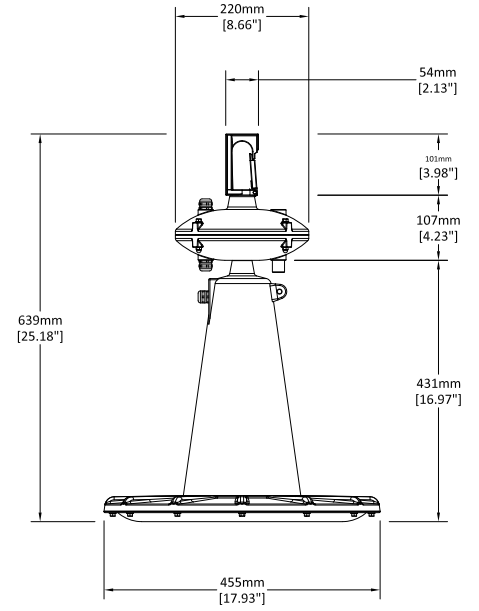
### NOVA WITH HOOK



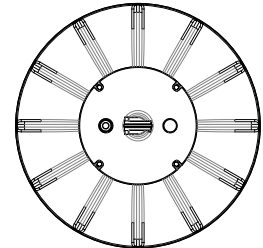
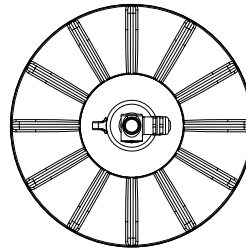
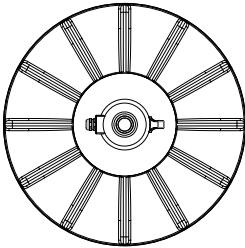
### NOVA WITH PENDANT MOUNT ADAPTER



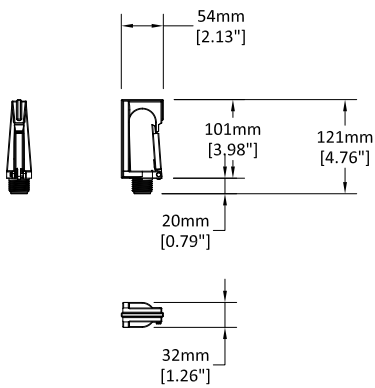
### NOVA WITH EM AND HOOK



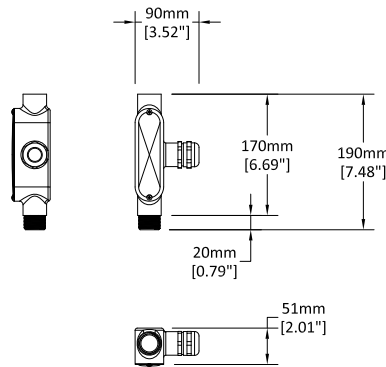
Top View



### HOOK



### PENDANT MOUNT ADAPTER



Bottom View

