

EasyLED Hazardous Location 12" Linear LED Die Cast

FXHLV1AQ

SOFTLED • C1D2 • HAZARDOUS LOCATION • LINEAR LED



The FXHLV1A Class 1, Division 2 Hazardous Location series wall and ceiling mount luminaire is available with clear or LumaLens lenses, and open, vertical half or horizontal half door frames designed to replace HID lighting systems from 70w to 175w MH or HPS. Typical lighting applications include industrial facilities, oil, gas, painting facilities, and auto service facilities. Mounting heights of 8 to 18 feet can be used based on light level and uniformity requirements.

HOUSING:

Heavy-Duty Die Cast Aluminum Housing and Top Frame, with 1/2" Tapped Coin Plug Openings for Wiring Entrance Conduits.

LISTING & RATINGS:

ETL Listed for Hazardous Locations Per UL844 as Follows:
Class 1, Division 2 Groups A, B, C, D; T4 Temperature Rating
Suitable for Wet Locations

FINISH:

Platinum Powdercoat Finish Over a Chromate Conversion Coating. Custom Colors Available Upon Request.

LENS:

Clear UV-Stabilized Polycarbonate or SoftLED LumaLens Opal UV-Stabilized Polycarbonate Vandal-Resistant Lens

MOUNTING OPTIONS:

Mount with Stainless Steel Adjustable Bracket or Yoke. Rated for 6 #12 AWG 90°C for Through Wiring.

EASYLED LED:

Aluminum Boards

WATTAGE:

22w: Array: 22w, System: 26.4w; (70w HID Equivalent)
37w: Array: 37.2w, System: 43.4w; (175w HID Equivalent)

DRIVER:

Electronic Driver, 120-277V, 50/60Hz; Less Than 20% THD and PF>0.90. Standard Internal Surge Protection is 2kV for 22w, 6kV for 37w. 0-10V Dimming Standard for a Dimming Range of 100% to 10%; Dimming Source Current is 150 Microamps.

LIFESPAN:

L70>187,000 Hours

WARRANTY:

5-Year Warranty for -25°C to +40°C Environment.

See Page 4 for Projected Lumen Maintenance Table.



FXHLV1AHQ



FXHLV1AVQ



FXHLV1AQQ



Shown with LumaLens



Class 1, Division 2
Groups A, B, C, D
T4 Temperature Rating

PROJECT INFORMATION:

Project Name: _____ Fixture Type: _____

Complete Catalog #: _____ Date: _____

Comments: _____

FXLSolutions.com • (800) 533-2789 • info@FXLSolutions.com

EasyLED Hazardous Location 12" Linear LED Die Cast

FXHLV1AQ

SOFTLED • C1D2 • HAZARDOUS LOCATION • LINEAR LED



We have custom and standard manufacturing options. Use this form to build your part number or reach out to our sales team for assistance.

GET YOUR PRODUCTS FASTER WITH OUR QUICK SHIP PROGRAM

Multiple USA locations = 98-3-1 Quick Ship Program
98% Fill Rate – 3 Day Lead Time – 1 Piece Minimum Order

ORDER EXAMPLE

<u>FXHLV1AQ</u>	<u>Optics</u>	<u>F</u>	<u>37</u>	<u>Driver</u>	<u>U</u>	<u>Lens</u>	<u>P</u>
Series			Wattage			CCT	Color

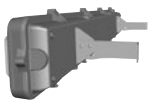
ORDER CONFIGURATION

Series	Optics	Wattage	Driver	CCT	Lens	Color
FXHLV1AQ =EasyLED Open Frame 12" Linear LED Die Cast FXHLV1AHQ =EasyLED Horizontal Hood 12" Linear LED Die Cast FXHLV1AVQ =EasyLED Vertical Hood 12" Linear LED Die Cast	F=Wide	22=22w 37=37w	U=120-277V	4K=4000K 5K=5000K	C=Clear UV-Stabilized Polycarbonate Vandal-Resistant Lens L=SoftLED LumaLens Opal UV-Stabilized Polycarbonate Vandal-Resistant Lens	P=Platinum C=Custom (Consult Factory)
	F		U			

Mounting Accessories

(Order Separately, Field Installed)

Options	Description
FXLVABRSS	Stainless Steel Adjustable Bracket, Set of Two
FXLV1AYSS	Stainless Steel Yokes for FXHLV1A, Includes Hardware.



FXLVABRSS*



FXLV1AYSS*

*Shown Mounted

FXLSolutions.com • (800) 533-2789 • info@FXLSolutions.com

EasyLED Hazardous Location 12" Linear LED Die Cast

FXHLV1AQ

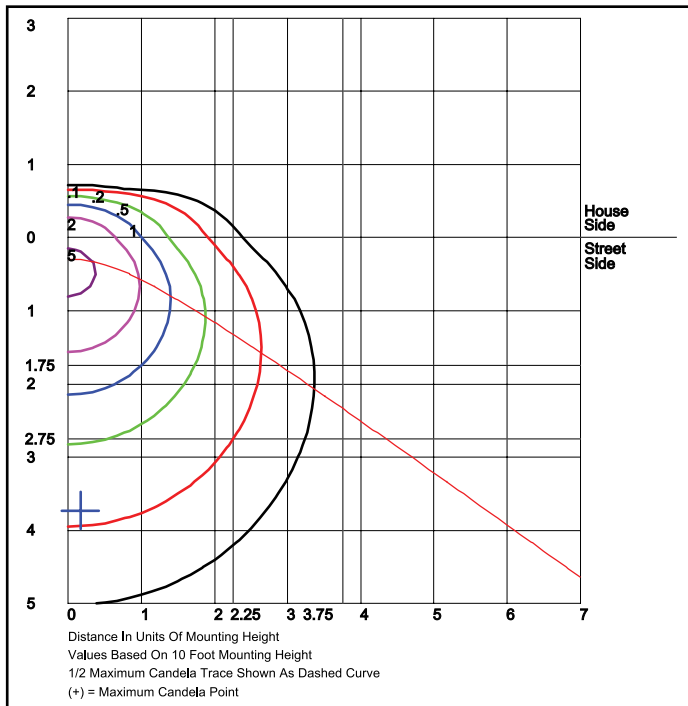
SOFTLED • C1D2 • HAZARDOUS LOCATION • LINEAR LED



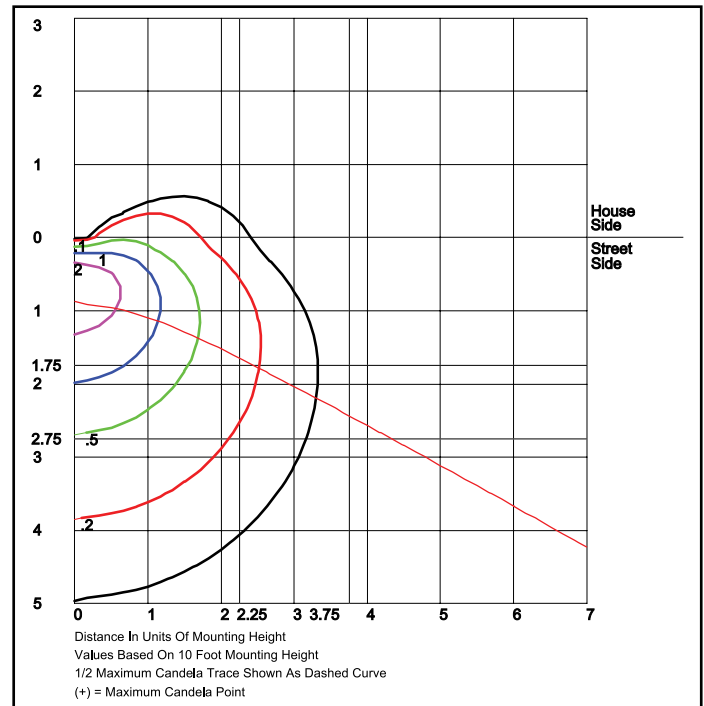
FXHLV1AQ PHOTOMETRIC DATA FOR WALL APPLICATIONS

Lumen Package	Optic	CCT	Wattage (Catalog Logic)	
			Input Watts	Delivered Lumens
FXHLV1AQ (Clear Lens)	Horizontal Frame -Type III	4000K	22W (22)	37W (37)
		5000K	26.4W	43.4W
		BUG Rating	B1-U2-G1	B2-U3-G2
	Vertical Frame -Type III	4000K	26.4W	43.4W
		5000K	26.4W	43.4W
		BUG Rating	B1-U2-G1	B2-U3-G1
FXHLV1AQ (LumaLens)	Horizontal Frame -Type IV	4000K	22W (22)	37W (37)
		5000K	26.4W	43.4W
		BUG Rating	B1-U3-G2	B1-U3-G2
	Vertical Frame -Type III	4000K	26.4W	43.4W
		5000K	26.4W	43.4W
		BUG Rating	B1-U3-G1	B1-U3-G2

FXHLV1AQ DISTRIBUTION FOR WALL APPLICATIONS



FXHLV1AQHF37U5KL
LumaLens
Grid in MH
MH=10 Feet



FXHLV1AVQF37U5KL
LumaLens
Grid in MH
MH=10 Feet

FXLSolutions.com • (800) 533-2789 • info@FXLSolutions.com

EasyLED Hazardous Location 12" Linear LED Die Cast

FXHLV1AQ

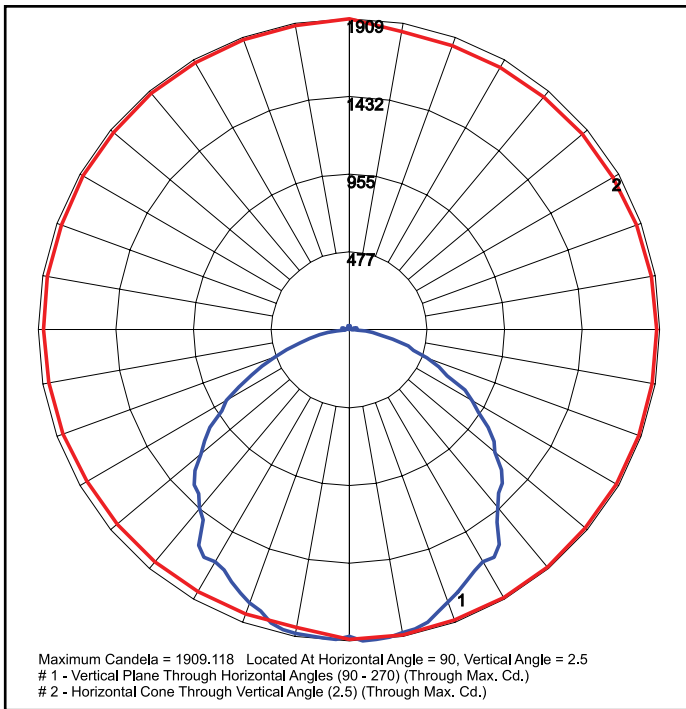
SOFTLED • C1D2 • HAZARDOUS LOCATION • LINEAR LED



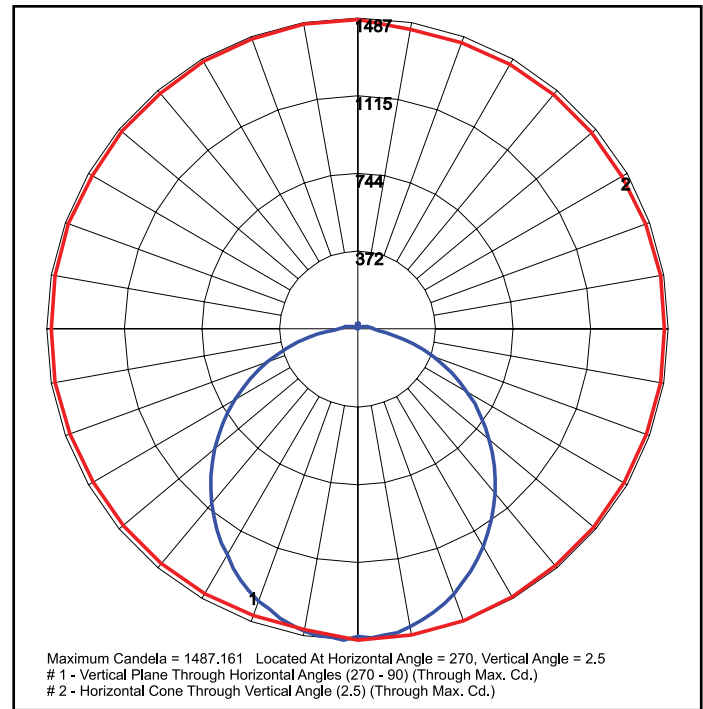
FXHLV1AQ PHOTOMETRIC DATA FOR CANOPY/CEILING LIGHT APPLICATIONS

Lumen Package	Optic	CCT	Spacing Criteria	Wattage (Catalog Logic)	
				22W (1X22)	37W (1X37)
				Input Watts	
				26.4W	43.4W
				Delivered Lumens	
FXHLV1AQ (Clear Lens)	Open Frame (110° x 110°)	4000K	1.34 (22w)/1.26 (37w)	3,199	5,316
		5000K	1.34 (22w)/1.26 (37w)	3,332	5,538
FXHLV1AQ (LumaLens)	Open Frame (110° x 120°)	4000K	1.26	2,828	4,750
		5000K	1.26	2,945	4,948

FXHLV1AQ DISTRIBUTION FOR CANOPY/CEILING LIGHT APPLICATIONS



FXHLV1AQF37U5KC
Clear Lens



FXHLV1AQF37U5KL
LumaLens

FXHLV1AQ PROJECTED LUMEN MAINTENANCE

Data shown for 5000 CCT

Compare to MH

TM-21-11	Input Watts	Initial	25,000 Hrs	50,000 Hrs	100,000 Hrs	Calculated LED Life
L70 Lumen Maintenance @ 25°C / 77°F	All wattages up to and including 43w	1.00	0.96	0.92	0.84	187,000
L80 Lumen Maintenance @ 40°C / 104°F		1.00	0.94	0.88	0.76	84,000

NOTES:

1. Projected per IESNA TM-21-11. Data references the extrapolated performance projections for the 116mA base model in a 25°C ambient, based on 10,000 hours of LED testing per IESNA LM-80-08.
2. Compare to MH box indicates suggested Light Loss Factor (LLF) to be used when comparing to Metal Halide (MH) systems.

FXLSolutions.com • (800) 533-2789 • info@FXLSolutions.com

EasyLED Hazardous Location 12" Linear LED Die Cast

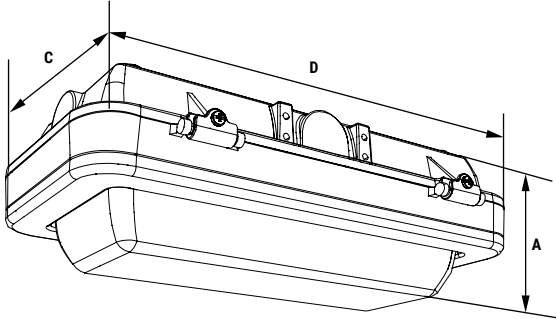
FXHLV1AQ

SOFTLED • C1D2 • HAZARDOUS LOCATION • LINEAR LED



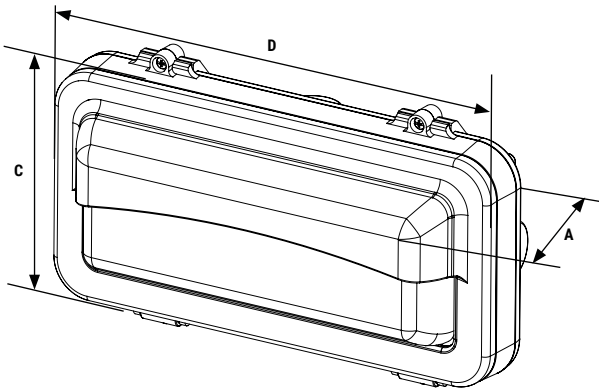
FX
LIGHTING™
A QSSI Company Since 1985

FXHLV1AQ DIMENSIONAL DATA



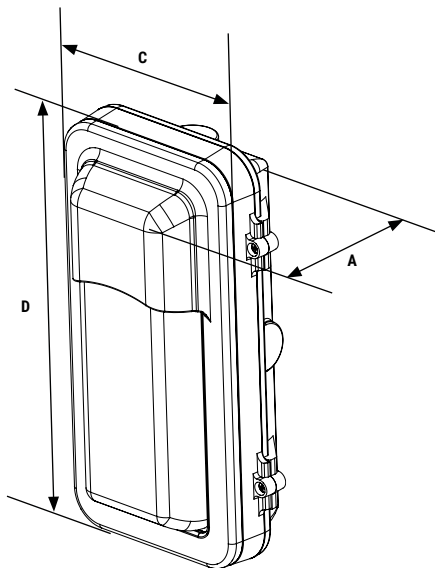
FXHLV1AQ Dimensions

Width (D)	12 $\frac{1}{8}$ " (309mm)
Length (C)	7" (178mm)
Height (A)	4" (102mm)



FXHLV1AHQ Dimensions

Width (D)	12 $\frac{1}{8}$ " (309mm)
Length (C)	7" (178mm)
Height (A)	4 $\frac{1}{4}$ " (107mm)



FXHLV1AVQ Dimensions

Width (D)	12 $\frac{1}{8}$ " (309mm)
Length (C)	7" (178mm)
Height (A)	4 $\frac{1}{4}$ " (107mm)

FXLSolutions.com • (800) 533-2789 • info@FXLSolutions.com

Information provided is subject to change. Please verify all details with FX Lighting. All values are designed to standard industry values when measured under laboratory conditions, and FX Lighting makes no warranty or guarantee, expressed or implied, that such performance will be obtained under end-use conditions.

REV. 06/23/22 5