

# ColorLED Small Traverse Wall Accent and Flood Light

FXTV2C3

COLORLED • COB TECHNOLOGY • FLOOD LIGHT • WALL LIGHT



The FXTV2 C<sup>3</sup> ColorLED static color cut-off wall mounted or flood light luminaire is available with an optional knuckle mounting feature and in two wattages designed to provide accent colored light using Blue, Green, or Red COB LEDs. Typical lighting applications include retail centers, industrial parks, schools and universities, public transit and airports, office buildings and medical facilities. Mounting can be accomplished using ground attachment accessories and to heights of 12 feet based on light level and uniformity requirements.

## HOUSING:

Die-Cast Gasketed Aluminum Housing, Includes Cast-In Box Template and Built in Level. White Reflector. Nickel-Plated Stainless Steel Hardware.

## LISTING & RATINGS:

CSA: Listed for Wet Locations, ANSI/UL 1598, 8750; IP65 Sealed LED Compartment.

## FINISH:

Textured Architectural Bronze Powdercoat Finish Over a Chromate Conversion Coating. Custom Colors Available Upon Request.

## LENS:

Tempered Clear Flat Glass Lens

## MOUNTING OPTIONS:

Mount Directly Over Recessed Electrical Box or use 1/2" Surface Mount Conduit. Adjustable Knuckle with 1/2" NPS Threads, Sold Separately, Field Installed.

## COB LED:

ColorLED COB

## WATTAGE:

20w COB: 20w, System: 21w; (100w HID Equivalent)  
40w COB: 40w, System: 43w; (175w HID Equivalent)

## DRIVER:

Electronic Driver, 120-277V, 50/60Hz; 347-480V, 50/60Hz or 347V, 50/60Hz; Less Than 20% THD and PF>0.90. Standard Internal Surge Protection is 2kV for 20w, 6kV for 40w. 0-10V Dimming Standard for a Dimming Range of 100% to 10%; Dimming Source Current is 150 Microamps.

## CONTROLS:

Fixtures Ordered with Factory-Installed Photocell or Motion Sensor Controls are Internally Wired for Switching and/or 1-10V Dimming Within the Housing. Remote Direct Wired Interface of 1-10V Dimming is Not Implied and May Not Be Available, Please Consult Factory. Fixtures are Tested with FX Lighting Controls and May Not Function Properly With Controls Supplied By Others. Fixtures are NOT Designed for Use with Line Voltage Dimmers.

## LIFESPAN:

L70>76,000 Hours

## WARRANTY:

5-Year Warranty for -40°C to +50°C Environment.



Shown with "KN" Knuckle Installed.



Shipped from Tampa location only.

<b>PROJECT INFORMATION:</b>	
Project Name:	Fixture Type:
Complete Catalog #:	Date:
Comments:	

FXLSolutions.com • (800) 533-2789 • info@FXLSolutions.com

# ColorLED Small Traverse Wall Accent and Flood Light

FXTV2C3

COLORLED • COB TECHNOLOGY • FLOOD LIGHT • WALL LIGHT



We have custom and standard manufacturing options. Use this form to build your part number or reach out to our sales team for assistance.

## GET YOUR PRODUCTS FASTER WITH OUR QUICK SHIP PROGRAM

Multiple USA locations = 98-3-1 Quick Ship Program  
98% Fill Rate – 3 Day Lead Time – 1 Piece Minimum Order

### ORDER EXAMPLE

<b>FXTV2C3</b> Series	<b>2X20</b> Wattage	<b>U</b> Driver	<b>AM</b> CCT	<b>Z</b> Color	<b>KN</b> Mounting	<b>SP</b> Option
--------------------------	------------------------	--------------------	------------------	-------------------	-----------------------	---------------------

Shipped from Tampa location only.

### ORDER CONFIGURATION

Series	Wattage	Driver	CCT	Color	Mounting	Options
FXTV2C3=Small LED Traverse Area, Flood and Wall Light	2X10=20w 2X20=40w	U=120-277V H=347-480V C=347V*  *2x20w only	BL=Blue GR=Green RD=Red	Z=Bronze C=Custom (Consult Factory)	KN=Knuckle*  *Optional, field installed. Order only for flood model.	SF=Single Fuse* DF=Double Fuse* SP=Surge Protection P14=Pencil Photocell, 120-277VAC  *120-277V Models Only.
<b>FXTV2C3</b>						

Note: For Mono Chromatic Amber Color, See Amber Product Page.

### Mounting Accessories

(Order Separately, Field Installed)

Options	Description
FXFLPTFZ	Die-Cast Post Top Fitter for 2 3/8" to 3 1/2" Poles, Bronze Powdercoat Finish, Three (3) 1/2" Coin Plugs.
FXFLSTK	Heavy Duty Ground Stake, Built-in Wiring Compartment with 1/2" NPS Threaded Fitting, Black Plastic. For Line-Voltage Applications.
FXFLSTZ	Die-Cast Adjustable Knuckle with 1/2" NPS Threads, Bronze Powdercoat Finish.



\*Shown Mounted

### Accessories

(Order Separately, Field Installed)

Options	Description
FXP18112	208-277V, 240VAC Pencil Photocell



P18112

### Replacement Parts

(Order Separately, Field Installed)

Options	Description
FXP18114	120-277V, 50/60Hz Pencil Photocell



FXP18114

### EFFECTIVE PROJECTED AREA (EPA)

Configuration	EPA (Sq. Ft.)	Weight (Lbs.)
 1	0.31	5 Lbs

FXLSolutions.com • (800) 533-2789 • info@FXLSolutions.com

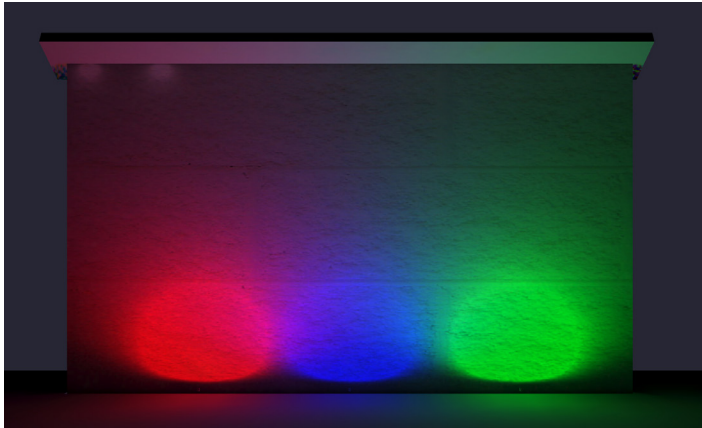
# ColorLED Small Traverse Wall Accent and Flood Light

FXTV2C3

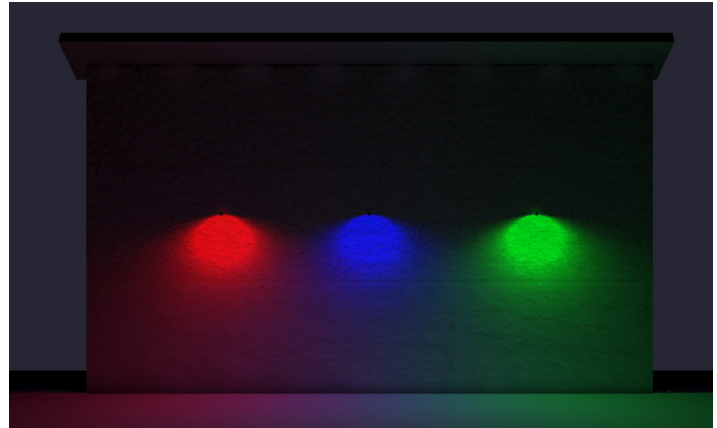
COLORLED • COB TECHNOLOGY • FLOOD LIGHT • WALL LIGHT



## COLORLED FXTV2C3 DISTRIBUTION



Ground Mount Flood



Wall Mount Cutoff

Wattage (Catalog Logic)		20W (2X10)	40W (2X20)
Input Watts		21W	43W
Lumen Package	Applications	Distribution	Distribution
FXTV2C3	Wall	Type III	Type II
	Flood	110°H x 100°V, NEMA 7H x 6V	100°H x 90°V, NEMA 7H x 6V

FXLSolutions.com • (800) 533-2789 • info@FXLSolutions.com

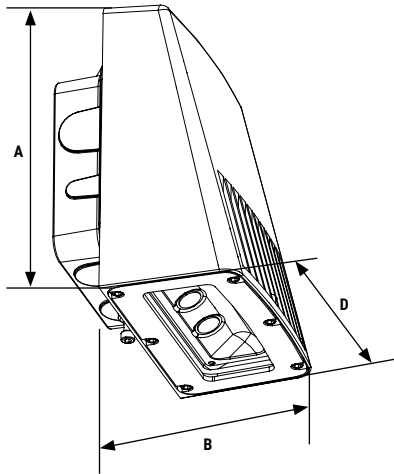
# ColorLED Small Traverse Wall Accent and Flood Light

FXTV2C3

COLORLED • COB TECHNOLOGY • FLOOD LIGHT • WALL LIGHT

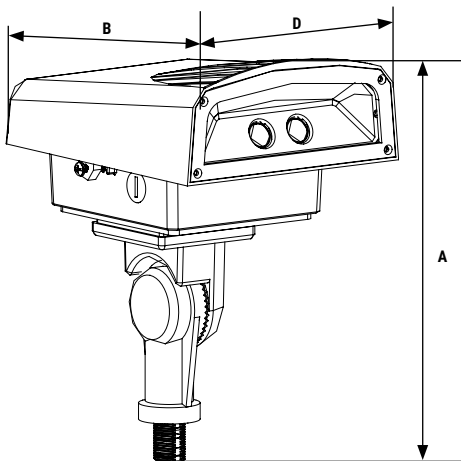


## COLORLED FXTV2C3 DIMENSIONAL DATA



### FXTV2C3 Dimensions

Width (D)	6" (152mm)
Height (A)	7 $\frac{3}{8}$ " (200mm)
Length (B)	5 $\frac{1}{8}$ " (130mm)



### FXTV2C3 with Knuckle Dimensions

Width (D)	6" (152mm)
Height (A)	9 $\frac{1}{4}$ " (235mm)
Length (B)	7 $\frac{3}{8}$ " (200mm)

FXLSolutions.com • (800) 533-2789 • info@FXLSolutions.com