

# ColorLED Turbine C<sup>3</sup> LED Bullet Flood Light

FXFB1C3

COLORLED • COB TECHNOLOGY • TURBINE SERIES • FLOOD • LANDSCAPE LIGHTING



The FXFB1 C<sup>3</sup> ColorLED static color flood light luminaire is available with a knuckle mounting feature with narrow, medium and wide distributions designed to provide accent colored light using Blue, Green, or Red COB LEDs. Typical lighting applications include retail centers, industrial parks, schools and universities, public transit and airports, office buildings and medical facilities. Mounting can be accomplished using ground attachment accessories and up to heights of 12 feet based on light level and uniformity requirements.

## HOUSING:

Die-Cast Gasketed Aluminum Housing and Front Frame with Integral Heat-Dissipating Fins for Thermal Management. Nickel-Plated Stainless Steel Hardware.

## LISTING & RATINGS:

CSA: Listed for Wet Locations, ANSI/UL 1598, 8750; IP66 Sealed LED Compartment.

## FINISH:

Textured Architectural Bronze Powdercoat Finish Over a Chromate Conversion Coating. Custom Colors Available Upon Request.

## LENS:

Tempered Clear Flat Glass Lens

## MOUNTING OPTIONS:

Adjustable Knuckle with 1/2" NPS Threads.

## COB LED:

ColorLED COB

## WATTAGE:

COB: 20w, System: 21w; (100w HID Equivalent)

## DRIVER:

Electronic Driver, 120-277V, 50/60Hz; Less Than 20% THD and PF>0.90. Standard Internal Surge Protection 2kV. 0-10V Dimming Standard for a Dimming Range of 100% to 10%; Dimming Source Current is 150 Microamps.

## LIFESPAN:

L70>89,000 Hours

## WARRANTY:

5-Year Warranty for -40°C to +50°C Environment.



Shown with "A" 70°, Medium Optic with "KN" Knuckle Installed.

Shown with "B" 100° Wide Optic Installed.

Shown with "D" 30° Narrow Optic Installed.



Shipped from Tampa location only.

### PROJECT INFORMATION:

Project Name:	Fixture Type:
Complete Catalog #:	Date:
Comments:	

FXLSolutions.com • (800) 533-2789 • info@FXLSolutions.com

# ColorLED Turbine C<sup>3</sup> LED Bullet Flood Light

FXFB1C3

COLORLED • COB TECHNOLOGY • TURBINE SERIES • FLOOD • LANDSCAPE LIGHTING



We have custom and standard manufacturing options. Use this form to build your part number or reach out to our sales team for assistance.

## GET YOUR PRODUCTS FASTER WITH OUR QUICK SHIP PROGRAM

Multiple USA locations = 98-3-1 Quick Ship Program  
98% Fill Rate – 3 Day Lead Time – 1 Piece Minimum Order

### ORDER EXAMPLE

FXFB1

Series

Optics  
BC3

1X20

Wattage

Driver  
U

Color  
BL

CCT

Color  
Z

Options  
KN

Mounting

Options  
SP

Shipped from Tampa location only.

### ORDER CONFIGURATION

Series	Optics	Wattage	Driver	CCT	Color	Mounting	Options
FXFB1=Turbine C <sup>3</sup> LED Bullet	AC3= Medium, NEMA 6H x 6V BC3=Wide, NEMA 6H x 6V DC3=Narrow, NEMA 4H x 4V  *See Page 3 for Distribution Information.	1X20=20w	U=120-277V	BL=Blue GR=Green RD=Red	Z=Bronze C=Custom (Consult Factory)	KN=½" NPS Knuckle	SF=Single Fuse* DF=Double Fuse* SP=Surge Protection  *120-277V Models Only.
FXFB1		1X20	U				

### Mounting Accessories

(Order Separately, Field Installed)

Options	Description
FXFLPTFZ	Die-Cast Post Top Fitter for 2½" to 3½" Poles, Bronze Powdercoat Finish, Three (3) ½" Coin Plugs.
FXFLSTK	Heavy Duty Ground Stake, Built-in Wiring Compartment with ½" NPS Threaded Fitting, Black Plastic. For Line-Voltage Applications.



FXFLPTFZ



FXFLSTK

### Accessories

(Order Separately, Field Installed)

Options	Description
FXFB1VZ	Die-Cast Rotatable Visor, Bronze Powdercoat Finish.



FXFB1VZ\*

\*Shown Mounted

FXLSolutions.com • (800) 533-2789 • info@FXLSolutions.com

# ColorLED Turbine C<sup>3</sup> LED Bullet Flood Light

FXFB1C3

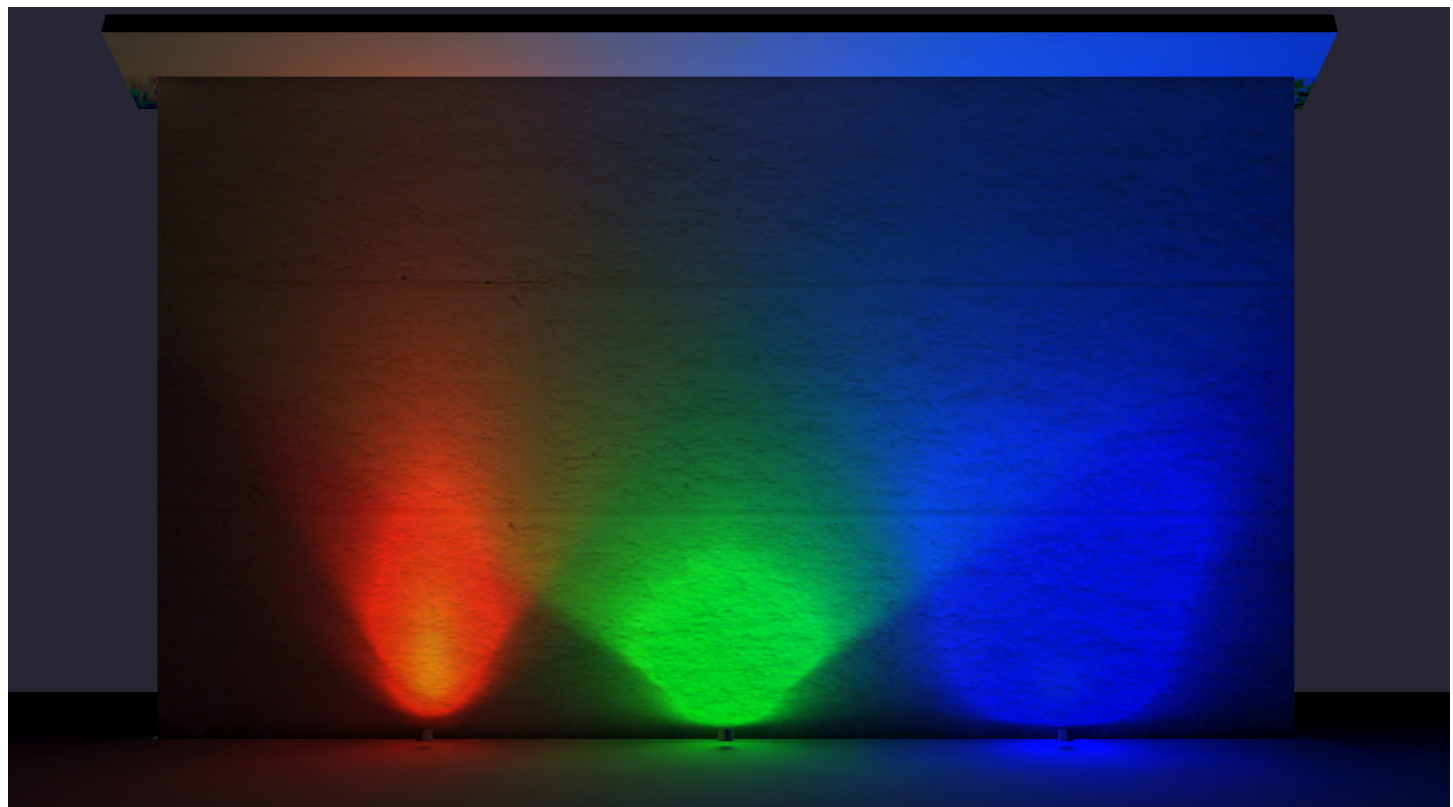


COLORLED • COB TECHNOLOGY • TURBINE SERIES • FLOOD • LANDSCAPE LIGHTING

## COLORLED FXFB1C3 PHOTOMETRIC DATA

Wattage (Catalog Logic)	20W (1X20)
Input Watts	21W
Lumen Package	Beam
FXFB1AC3 70°, Medium Optic	70°H x 70°V, NEMA 6H x 6V
FXFB1BC3 100°, Wide Optic	100°H x 100°V, NEMA 6H x 6V
FXFB1DC3 30°, Narrow Optic	25°H x 25°V, NEMA 4H x 4V

## COLORLED FXFB1C3 DISTRIBUTION



Narrow "D" Optic

Medium "A" Optic

Wide "B" Optic

[FXLSolutions.com](http://FXLSolutions.com) • (800) 533-2789 • [info@FXLSolutions.com](mailto:info@FXLSolutions.com)

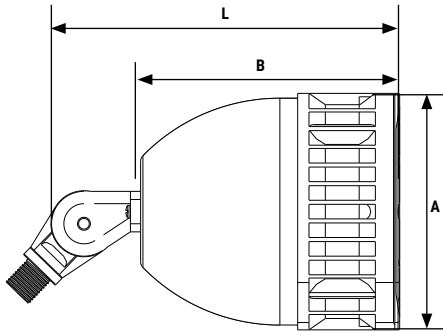
# ColorLED Turbine C<sup>3</sup> LED Bullet Flood Light

FXFB1C3

COLORLED • COB TECHNOLOGY • TURBINE SERIES • FLOOD • LANDSCAPE LIGHTING

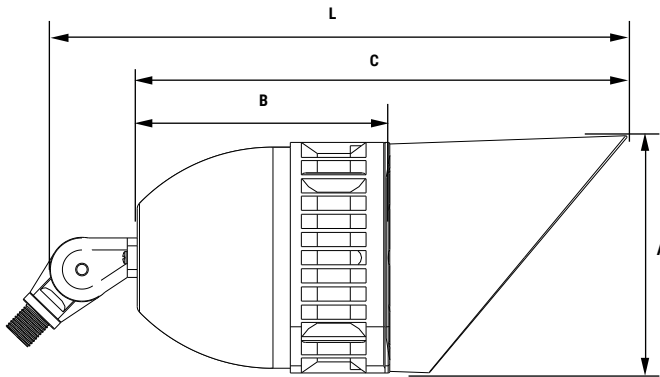


## COLORLED FXFB1C3 DIMENSIONAL DATA



### FXFB1C3 Dimensions

Length (B)	6¼" (160mm)
Length with Mount (L)	9¼" (235mm)
Diameter (A)	5¾" (146mm)



### FXFB1C3 with Visor Dimensions

Length (B)	6¼" (160mm)
Length with Visor (C)	12¼" (310mm)
Length with Visor & Mount (L)	14¾" (365mm)
Diameter (A)	5¾" (150mm)

FXLSolutions.com • (800) 533-2789 • info@FXLSolutions.com

Information provided is subject to change. Please verify all details with FX Lighting. All values are designed to standard industry values when measured under laboratory conditions, and FX Lighting makes no warranty or guarantee, expressed or implied, that such performance will be obtained under end-use conditions.