

EasyLED Wall Mount Cutoff Luminaire

FXWPC30Q

SOFTLED • WALL LIGHT • CUTOFF



The contemporary-styled FXWPC30Q Wall Mount Cutoff Luminaire is available in two wattages and two optical distributions designed to replace HID lighting systems up to 150W MH or HPS. Typical wall mounted lighting applications include retail centers, industrial parks, schools and universities, public transit and airports, office buildings and medical facilities. Mounting heights of 8 to 15 feet can be used based on light level and uniformity requirements.

HOUSING:

Die Cast Aluminum Housing with Integral Heat Sinking. Nickel-Plated Stainless Steel Hardware. Photocell Adaptable.

LISTING & RATINGS:

CSA: Listed for Wet Locations, ANSI/UL 1598, 8750; IP66 Sealed LED Compartment.

FINISH:

Textured Architectural Bronze Powdercoat Finish Over a Chromate Conversion Coating. Custom Colors Available Upon Request.

LENS:

Clear One-Piece Molded UV-Stabilized Polycarbonate or SoftLED LumaLens UV-Stabilized Polycarbonate Opal Vandal-Resistant Lenses to Seal LED Array.

MOUNTING OPTIONS:

Mount Directly Over a 4" Recessed Outlet Box, Includes Easy-Hang "Two Hands Free" Wall Mounting Bracket with Built-In Level. No Surface Conduit Entrance.

EASYLED LED:

Aluminum Boards

WATTAGE:

14w: Array: 14.5w, System: 16.1w
22w: Array: 21.7w, System: 24.8w

DRIVER:

Electronic Driver, 120-277V, 50/60Hz or 347V, 50/60Hz; Less Than 20% THD and PF>0.90. Standard Internal Surge Protection 6kV. 0-10V Dimming Standard for a Dimming Range of 100% to 10%; Dimming Source Current is 150 Microamps.

CONTROLS:

Fixtures Ordered with Factory-Installed Photocell or Motion Sensor Controls are Internally Wired for Switching and/or 1-10V Dimming Within the Housing. Remote Direct Wired Interface of 1-10V Dimming is Not Implied and May Not Be Available, Please Consult Factory. Fixtures are Tested with FX Lighting Controls and May Not Function Properly With Controls Supplied By Others. Fixtures are NOT Designed for Use with Line Voltage Dimmers.

LIFESPAN:

L70>320,000 Hours

WARRANTY:

5-Year Warranty for -40°C to +50°C Environment.

See Page 3 for Projected Lumen Maintenance Table.



Shown with Clear Molded UV-Stabilized Polycarbonate Lens



Shown with SoftLED LumaLens Opal UV-Stabilized Polycarbonate Array Lens



PROJECT INFORMATION:	
Project Name: _____	Fixture Type: _____
Complete Catalog #: _____	Date: _____
Comments: _____	

FXLSolutions.com • (800) 533-2789 • info@FXLSolutions.com

EasyLED Wall Mount Cutoff Luminaire

FXWPC30Q

SOFTLED • WALL LIGHT • CUTOFF



We have custom and standard manufacturing options. Use this form to build your part number or reach out to our sales team for assistance.

GET YOUR PRODUCTS FASTER WITH OUR QUICK SHIP PROGRAM

Multiple USA locations = 98-3-1 Quick Ship Program
98% Fill Rate – 3 Day Lead Time – 1 Piece Minimum Order

ORDER EXAMPLE

FXWPC30Q
Series
F
Optics
1X22
Wattage
U
Driver
5K
CCT
C
Lens
Z
Color
SP
Options

ORDER CONFIGURATION

Series	Optics	Wattage	Driver	CCT	Lens	Color	Options
FXWPC30Q=EasyLED Wall Mount Cutoff Luminaire	D=Type IV F=Type V	1X14=14w 1X22=22w	U=120-277V C=347V* *14w Models Only.	3K=3000K 4K=4000K 5K=5000K	C=Clear Molded UV-Stabilized Polycarbonate Lens L=SoftLED LumaLens Opal UV-Stabilized Polycarbonate Array Lens* *Use with F Optic Only.	Z=Bronze C=Custom (Consult Factory)	SF=Single Fuse* DF=Double Fuse* SP=Surge Protection PC3=Photocell, 120-277VAC S2=Microwave Sensor with Dimming for Mounting Heights of 8' to 40'.* BU=Battery Backup* BUC=Cold Start Battery Backup, -20°C, 90 Minutes* *120-277V Models Only.
FXWPC30Q							

Replacement Parts

(Order Separately, Field Installed)

Options	Description
FXP18103	120-277VAC Photocell
FXP17117	Internal Microwave Sensor with Dimming for Mounting Heights of 8' to 40'. 120-277VAC, 50/60Hz

For Replacement Battery Backup, see the FX Lighting LED Battery Backup Specification Sheet.



FXP18103



FXP17117

FXLSolutions.com • (800) 533-2789 • info@FXLSolutions.com

EasyLED Wall Mount Cutoff Luminaire

FXWPC30Q

SOFTLED • WALL LIGHT • CUTOFF



FXWPC30Q PHOTOMETRIC DATA

Wattage (Catalog Logic)		14W (1X14)	22W (1X22)
Input Watts		16.1W	24.8W
Lumen Package	CCT	Delivered Lumens	
FXWPC30Q Type III	3000K	1,473	2,209
	4000K	1,533	2,299
	5000K	1,592	2,389
	BUG Rating	B0-U1-G1	B1-U1-G1
FXWPC30Q Type V	3000K	1,770	2,655
	4000K	1,842	2,762
	5000K	1,913	2,870
	BUG Rating	B1-U1-G0	B1-U1-G1
FXWPC30Q Type V with LumaLens	3000K	1,408	2,112
	4000K	1,465	2,198
	5000K	1,522	2,283
	BUG Rating	B1-U2-G1	B1-U2-G1

FXWPC30Q PROJECTED LUMEN MAINTENANCE

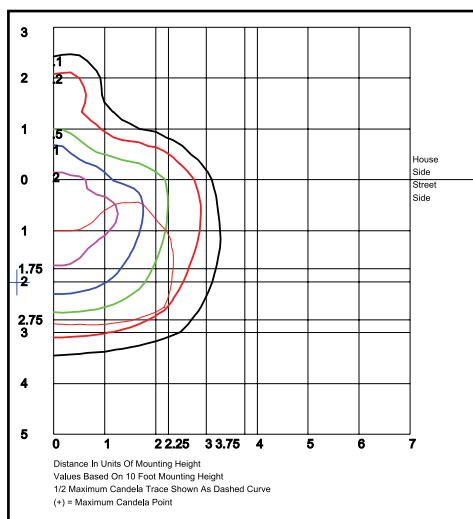
Data shown for 5000 CCT

TM-21-11	Input Watts	Compare to MH				Calculated LED Life
		Initial	25,000 Hrs	50,000 Hrs	100,000 Hrs	
L70 Lumen Maintenance @ 25°C / 77°F	All wattages up to and including 25w	1.00	0.98	0.95	0.91	320,000
L70 Lumen Maintenance @ 50°C / 122°F		1.00	0.95	0.89	0.79	141,000
L80 Lumen Maintenance @ 40°C / 104°F		1.00	0.96	0.93	0.85	134,000

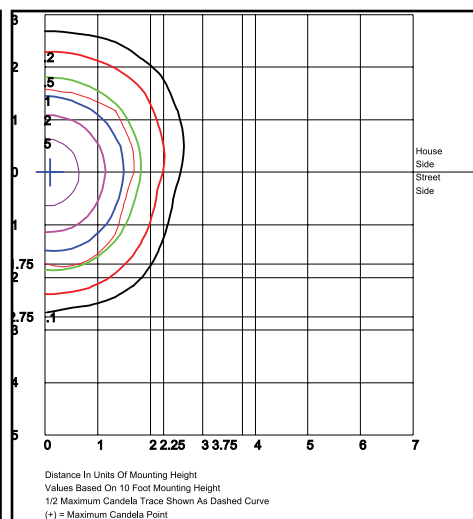
NOTES:

1. Projected per IESNA TM-21-11. Data references the extrapolated performance projections for the base model in a 25°C ambient, based on 10,000 hours of LED testing per IESNA LM-80-08.
2. Compare to MH box indicates suggested Light Loss Factor (LLF) to be used when comparing to Metal Halide (MH) systems.

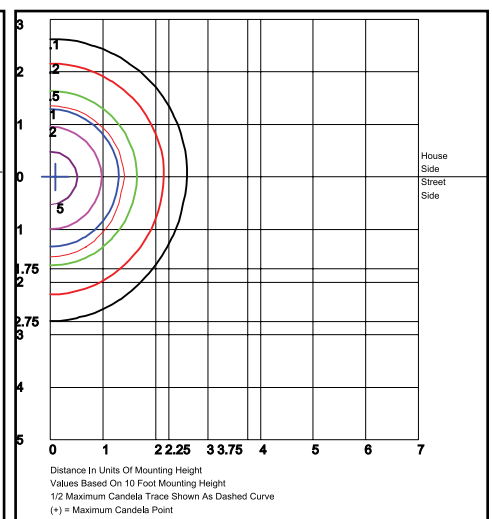
FXWPC30Q DISTRIBUTION



FXWPC30QD1X22U5KC
Type IV, Clear Lens
Grid in MH
MH=10 Feet



FXWPC30QF1X22U5KC
Type V, Clear Lens
Grid in MH
MH=10 Feet



FXWPC30QF1X22U5KL
Type V, LumaLens
Grid in MH
MH=10 Feet

FXLSolutions.com • (800) 533-2789 • info@FXLSolutions.com

EasyLED Wall Mount Cutoff Luminaire

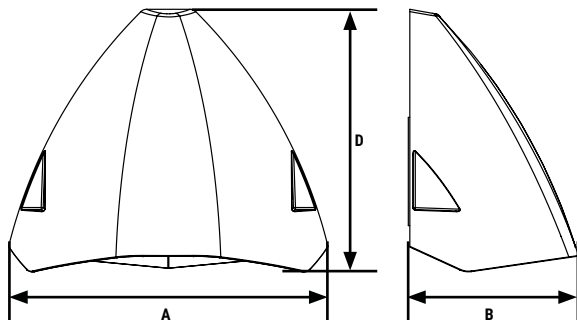
FXWPC30Q

SOFTLED • WALL LIGHT • CUTOFF



FX
LIGHTING™
A QSSI Company Since 1985

FXWPC30Q DIMENSIONAL DATA



FXWPC30Q Dimensions

Width (D)	12½" (319mm)
Length (B)	6¾" (168mm)
Height (A)	10¼" (262mm)

FXLSolutions.com • (800) 533-2789 • info@FXLSolutions.com

Information provided is subject to change. Please verify all details with FX Lighting. All values are designed to standard industry values when measured under laboratory conditions, and FX Lighting makes no warranty or guarantee, expressed or implied, that such performance will be obtained under end-use conditions.

REV. 09/01/21 4