

# Large LED Traverse Wall Accent and Flood Light

FXTV3C3

COB TECHNOLOGY • FLOOD LIGHT • WALL LIGHT



The FXTV3C3 luminaire is available in two wattages designed to replace HID lighting systems up to 400w MH or HPS. Typical applications include general area, parking, flood, security, and accent lighting for retail centers, industrial parks, schools and universities, public transit and airports, office buildings and medical facilities. Mounting can be accomplished using ground attachment accessories and up to heights of 20 feet based on light level and uniformity requirements.

## HOUSING:

Die-Cast Gasketed Aluminum Housing, Includes Cast-In Box Template and Built in Level. White Reflector Nickel-Plated Stainless Steel Hardware.

## LISTING & RATINGS:

CSA: Listed for Wet Locations, ANSI/UL 1598, 8750; IP66 Sealed LED Compartment.

## FINISH:

Textured Architectural Bronze Powdercoat Finish Over a Chromate Conversion Coating. Custom Colors Available Upon Request.

## LENS:

Tempered Clear Flat Glass Lens.

## MOUNTING OPTIONS:

Mount Directly Over Recessed Electrical Box, Use 1/2" Surface Conduit, Heavy-Duty Adjustable Knuckle, Slipfitter, or Two-Piece Swivel Bracket (Field Installed).

## COB LED:

Cool Copper COB

## WATTAGE:

60w COB: 60w, System: 56w; (250w HID Equivalent)  
80w COB: 80w, System: 80w; (400w HID Equivalent)

## DRIVER:

Electronic Driver, 120-277V, 50/60Hz; Less Than 20% THD and PF>0.90. Standard Internal Surge Protection 6kV. 0-10V Dimming Standard for a Dimming Range of 100% to 10%; Dimming Source Current is 150 Microamps.

## CONTROLS:

Fixtures Ordered with Factory-Installed Photocell or Motion Sensor Controls are Internally Wired for Switching and/or 1-10V Dimming Within the Housing. Remote Direct Wired Interface of 1-10V Dimming is Not Implied and May Not Be Available, Please Consult Factory. Fixtures are Tested with FX Lighting Controls and May Not Function Properly With Controls Supplied By Others. Fixtures are NOT Designed for Use with Line Voltage Dimmers.

## LIFESPAN:

L70>77,000 Hours

## WARRANTY:

5-Year Warranty for -40°C to +50°C Environment.

See Page 3 for Projected Lumen Maintenance Table.



Shown with "SF" Slipfitter Mounting Option.



<b>PROJECT INFORMATION:</b>	
Project Name:	Fixture Type:
Complete Catalog #:	Date:
Comments:	

FXLSolutions.com • (800) 533-2789 • info@FXLSolutions.com

# Large LED Traverse Wall Accent and Flood Light

FXTV3C3

COB TECHNOLOGY • FLOOD LIGHT • WALL LIGHT



We have custom and standard manufacturing options. Use this form to build your part number or reach out to our sales team for assistance.

## GET YOUR PRODUCTS FASTER WITH OUR QUICK SHIP PROGRAM

Multiple USA locations = 98-3-1 Quick Ship Program  
98% Fill Rate – 3 Day Lead Time – 1 Piece Minimum Order

### ORDER EXAMPLE

<b>FXTV3C3</b> <small>Series</small>	<u>Wattage</u> <b>4X20</b>	<u>Driver</u> <b>U</b>	<u>CCT</u> <b>41K</b>	<u>Color</u> <b>Z</b>	<u>Mounting</u> <b>KN</b>	<u>Option</u> <b>SP</b>
---	-------------------------------	---------------------------	--------------------------	--------------------------	------------------------------	----------------------------

### ORDER CONFIGURATION

Series	Wattage	Driver	CCT	Color	Mounting	Options
FXTV3C3=Large LED Traverse Wall and Flood Light	4X15=60w 4X20=80w	U=120-277V	41K=4100K	Z=Bronze C=Custom (Consult Factory)	KN=½" NPS Knuckle SF=Slipfitter BR=Two-Piece Swivel Bracket  *All Mounts Are Field Installed.	SF=Single Fuse* DF=Double Fuse* SP=Surge Protection P14=Pencil Photocell, 120-277VAC  *120-277V Models Only.
<b>FXTV3C3</b>		<b>U</b>	<b>41K</b>			

### Mounting Accessories

(Order Separately, Field Installed)

Options	Description
FXFLPTFZ	Die-Cast Post Top Fitter for 2¾" to 3½" Poles, Bronze Powdercoat Finish, Three (3) ½" Coin Plugs.
FXFLSTK	Heavy Duty Ground Stake, Built-in Wiring Compartment with ½" NPS Threaded Fitting, Black Plastic. For Line-Voltage Applications.



### Accessories

(Order Separately, Field Installed)

Options	Description
FXP18112	208-277V, 240VAC Pencil Photocell



P18112

### Replacement Parts

(Order Separately, Field Installed)

Options	Description
FXFLSTZ	Die-Cast Adjustable Knuckle with ½" NPS Threads, Bronze Powdercoat Finish.
FXFL73SFZ	External Mount Die-Cast Adjustable Slipfitter for 2¾" Tenons, Bronze Powdercoat Finish, Includes Hardware.
FXFL73BRZ	Two-Piece Stamped Steel Adjustable Bracket, Bronze Powdercoat Finish, Includes Hardware.
FXP18114	120-277V, 50/60Hz Pencil Photocell



\*Shown Mounted

FXLSolutions.com • (800) 533-2789 • info@FXLSolutions.com

# Large LED Traverse Wall Accent and Flood Light

FXTV3C3

COB TECHNOLOGY • FLOOD LIGHT • WALL LIGHT



## FXTV3C3 PHOTOMETRIC DATA FOR WALL APPLICATIONS

Wattage (Catalog Logic)		60W (4X15)	80W (4X20)
Input Watts		56W	80W
Lumen Package	CCT	Delivered Lumens	
FXTV3C3 Type III	4100K	6,508	8,212
	BUG Rating	B2-U1-G1	B3-U1-G1

## FXTV3C3 PHOTOMETRIC DATA FOR FLOOD APPLICATIONS

Wattage (Catalog Logic)		60W (4X15)	80W (4X20)
Input Watts		56W	80W
Lumen Package	Beam	CCT	Delivered Lumens
FXTV3C3	105°H x 90°V, NEMA 7H x 7V	4100K	6,509
	100°H x 80°V, NEMA 7H x 7V	4100K	-
			8,221

## FXTV3C3 PROJECTED LUMEN MAINTENANCE

Data shown for 4100 CCT		Compare to MH				Calculated LED Life
TM-21-11	Input Watts	Initial	25,000 Hrs	50,000 Hrs	100,000 Hrs	
L70 Lumen Maintenance @ 25°C / 77°F	All wattages up to and including 80w	1.00	0.90	0.81	0.61	77,000
L70 Lumen Maintenance @ 50°C / 122°F		1.00	0.87	0.73	0.46	56,000
L80 Lumen Maintenance @ 40°C / 104°F		1.00	0.88	0.77	0.53	43,000

**NOTES:**

1. Projected per IESNA TM-21-11. Data references the extrapolated performance projections for the base model in a 25°C ambient, based on 10,000 hours of LED testing per IESNA LM-80-08.
2. Compare to MH box indicates suggested Light Loss Factor (LLF) to be used when comparing to Metal Halide (MH) systems.

FXLSolutions.com • (800) 533-2789 • info@FXLSolutions.com

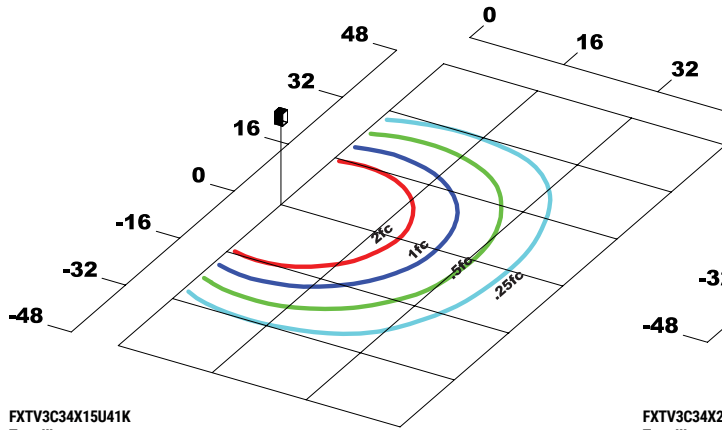
# Large LED Traverse Wall Accent and Flood Light

FXTV3C3

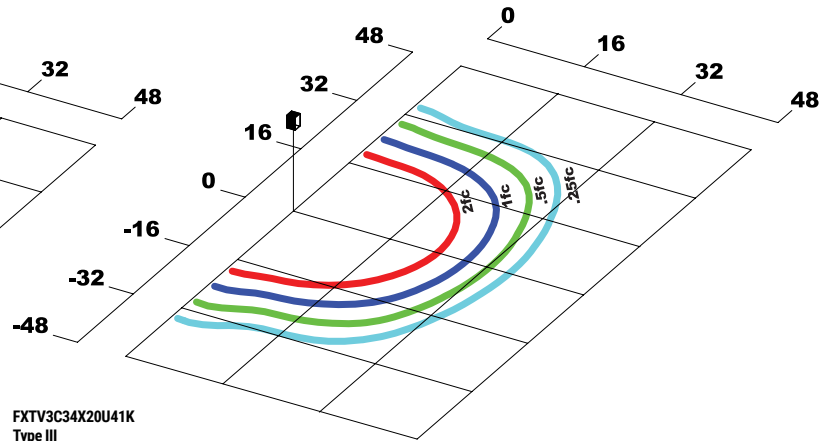
COB TECHNOLOGY • FLOOD LIGHT • WALL LIGHT



## FXTV3C3 DISTRIBUTION FOR WALL APPLICATIONS

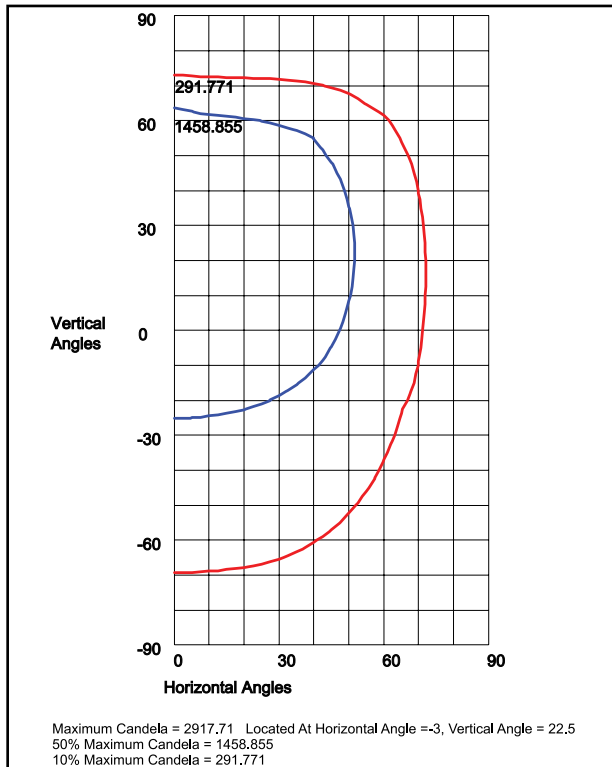


FXTV3C34X15U41K  
Type III  
Grid in MH  
MH=16 Feet

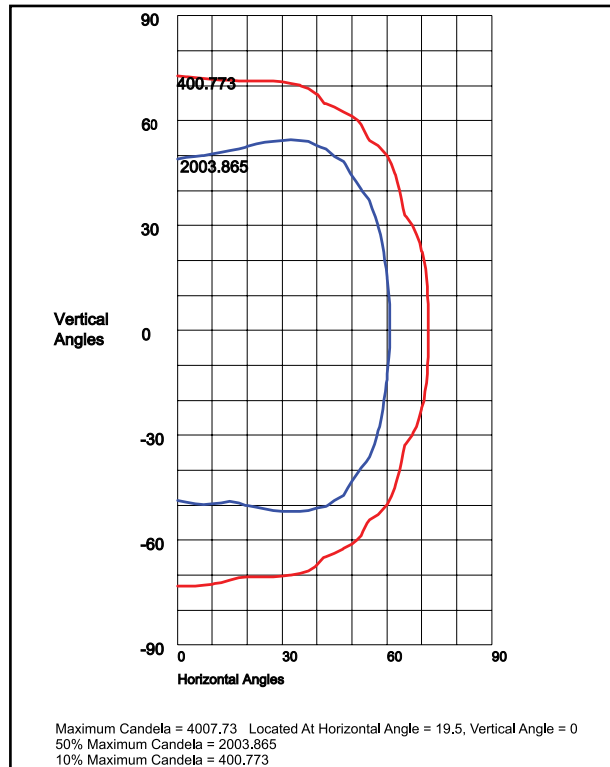


FXTV3C34X20U41K  
Type III  
Grid in MH  
MH=16 Feet

## FXTV3C3 DISTRIBUTION FOR FLOOD APPLICATIONS



FXTV3C34X15U41K  
105°H x 90°V Beam, NEMA 7H x 7V



FXTV3C34X20U41K  
100°H x 80°V Beam, NEMA 7H x 7V

FXLSolutions.com • (800) 533-2789 • info@FXLSolutions.com

# Large LED Traverse Wall Accent and Flood Light

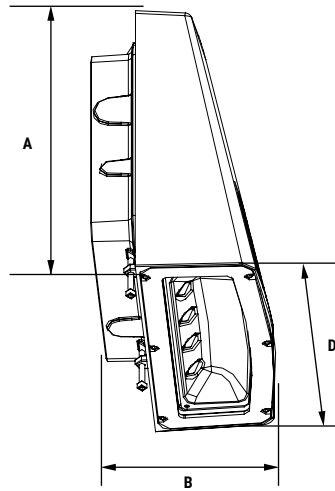
FXTV3C3

COB TECHNOLOGY • FLOOD LIGHT • WALL LIGHT



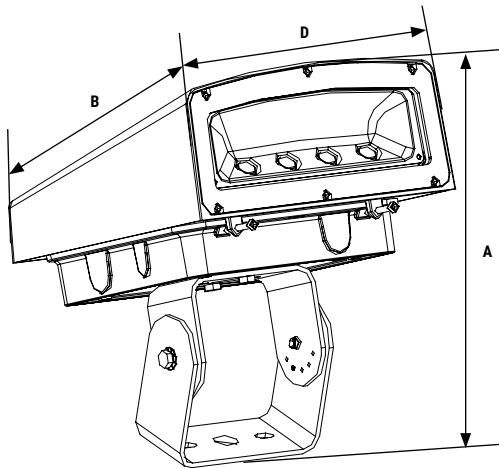
**FX**  
LIGHTING™  
A QSSI Company Since 1985

## FXTV3C3 DIMENSIONAL DATA



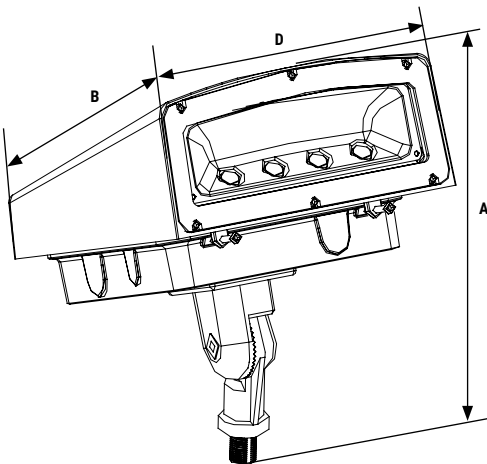
### FXTV3C3 Dimensions

Width (D)	9¾" (248mm)
Height (A)	11¼" (286mm)
Length (B)	6½" (156mm)



### FXTV3C3 with Bracket Dimensions

Width (D)	9¾" (248mm)
Length (B)	11¼" (286mm)
Height (A)	9½" (241mm)



### FXTV3C3 with Knuckle Dimensions

Width (D)	9¾" (248mm)
Length (B)	11¼" (286mm)
Height (A)	9¾" (251mm)

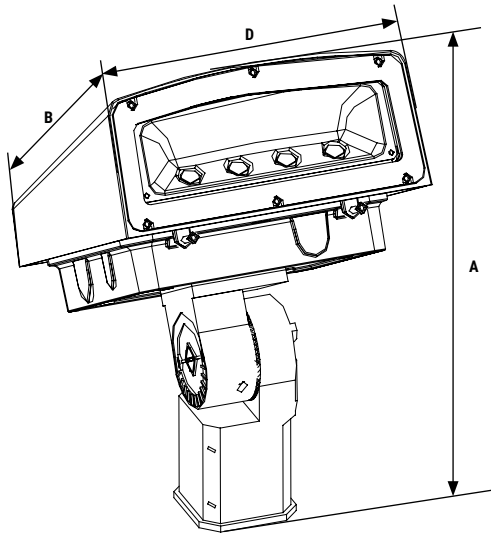
[FXLSolutions.com](http://FXLSolutions.com) • (800) 533-2789 • [info@FXLSolutions.com](mailto:info@FXLSolutions.com)

Information provided is subject to change. Please verify all details with FX Lighting. All values are designed to standard industry values when measured under laboratory conditions, and FX Lighting makes no warranty or guarantee, expressed or implied, that such performance will be obtained under end-use conditions.

# Large LED Traverse Wall Accent and Flood Light

FXTV3C3

COB TECHNOLOGY • FLOOD LIGHT • WALL LIGHT



## FXTV3C3 with Slipfitter Dimensions

Width (D)	9 $\frac{3}{4}$ " (248mm)
Length (B)	11 $\frac{1}{4}$ " (286mm)
Height (A)	11 $\frac{1}{8}$ " (283mm)

[FXLSolutions.com](http://FXLSolutions.com) • (800) 533-2789 • [info@FXLSolutions.com](mailto:info@FXLSolutions.com)

Information provided is subject to change. Please verify all details with FX Lighting. All values are designed to standard industry values when measured under laboratory conditions, and FX Lighting makes no warranty or guarantee, expressed or implied, that such performance will be obtained under end-use conditions.