

# AmberLED LEDicated Vaporproof

## FXVB53Q, FXVP53Q & FXVW53Q



AMBERLED • HARSH ENVIRONMENTS • VAPORPROOF

The AmberLED LEDicated Vaporproof fixtures with a choice of mounting configurations are designed to replace HID lighting systems up to 175w MH or HPS for wildlife, dark skies, or security applications requiring monochromatic AMBER light. LEDs operate between 585 and 595 nm, greater than 560nm required for wildlife protection. This vapor resistant fixture can withstand extreme physical and environmental abuse and is ideal for retail centers, industrial parks, schools and universities, public transit and airports, office buildings and medical facilities. Mounting heights of 8 to 14 feet can be used based on light level and uniformity requirements.

### HOUSING:

Heavy Duty Die Cast Aluminum Housing with Integral Heat Sinking, 3/4" NPS Threaded Mounts.

### LISTING & RATINGS:

CSA: Listed for Wet Locations, ANSI/UL 1598, 8750  
IP66 Sealed LED Compartment

### FINISH:

Smooth Powdercoat Finish Over a Chromate Conversion Coating. Custom Colors Available Upon Request.

### LENS:

Flat Clear Tempered Glass Lens

### MOUNTING OPTIONS:

Pendant Mount or Surface Mount on Wall or Ceiling

### AMBERLED LED:

Aluminum Boards

### WATTAGE:

Array: 22w, System: 27w; (175w HID Equivalent)

### DRIVER:

Electronic Driver, 120-277V, 50/60Hz; Less Than 20% THD and PF>0.90. Standard Internal Surge Protection 2kV. 0-10V Dimming Standard for a Dimming Range of 100% to 10%; Dimming Source Current is 150 Microamps.

### LIFESPAN:

L70>187,000 Hours

### WARRANTY:

5-Year Warranty for -40°C to +50°C Environment.

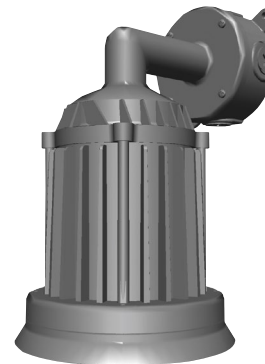
See Page 3 for Projected Lumen Maintenance Table.



FXVB53Q



FXVP53Q



FXVW53Q



<b>PROJECT INFORMATION:</b>	
Project Name: _____	Fixture Type: _____
Complete Catalog #: _____	Date: _____
Comments: _____	
_____	

FXLSolutions.com • (800) 533-2789 • info@FXLSolutions.com

# AmberLED LEDicated Vaporproof

## FXVB53Q, FXVP53Q & FXVW53Q



AMBERLED • HARSH ENVIRONMENTS • VAPORPROOF

We have custom and standard manufacturing options. Use this form to build your part number or reach out to our sales team for assistance.

### GET YOUR PRODUCTS FASTER WITH OUR QUICK SHIP PROGRAM

Multiple USA locations = 98-3-1 Quick Ship Program  
98% Fill Rate – 3 Day Lead Time – 1 Piece Minimum Order

#### ORDER EXAMPLE

**FXVP53Q**

Series

Optics

**F**

**1X23**

Wattage

Driver

**U**

**AM**

CCT

Color

**P**

**SF**

Options

#### ORDER CONFIGURATION

Series	Optics	Wattage	Driver	CCT	Color	Options
FXVB53Q=AmberLED LEDicated Box Mount Vaporproof FXVP53Q=AmberLED LEDicated Pendant Mount Vaporproof FXVW53Q=AmberLED LEDicated Wall Mount Vaporproof	F=Wide	1X23=23w	U=120-277V	AM=1400K	P=Platinum C=Custom (Consult Factory)	SF=Single Fuse* DF=Double Fuse* *120-277V Models Only.
	<b>F</b>	<b>1X23</b>	<b>U</b>	<b>AM</b>		

#### Mounting Accessories

(Order Separately, Field Installed)

Options	Description
FXCPSPR	Swivel Pendant Mount - Round, for Angled or Straight Ceilings, Fits 3/4" Conduit, Includes Reducer Bushing (to 1/2") & Set Screw, Powdercoat Finish
FXCPSPS	Swivel Pendant Mount - Square, or Angled or Straight Ceilings, Fits 3/4" Conduit; Includes Reducer Bushing (to 1/2") & Set Screw, Powdercoat Finish



FXCPSPR



FXCPSPS

#### Accessories

(Order Separately, Field Installed)

Options	Description
FXVS30AP	Angled Aluminum Shade, Platinum Powdercoat Finish. 8 3/4" H by 11 3/4" Dia.
FXVS30SP	Straight Aluminum Shade, Platinum Powdercoat Finish. 5 1/2" H by 16" Dia. Not for use with FXVW53.
FXVWGS	Wire Guard for Straight Shade, Stainless Steel
FXVWGA	Wire Guard for Angled Shade, Stainless Steel
FXCPRB	Reducer Bushing, 3/4" to 1/2", use with Swivel Mount
FXCPRB1	Die Cast Round Electrical Box with Five (5) 1/2" Coin Plugs
FXCPRC1	Backplate, 1/2" Coin Plugs
FXCPRB3	Die Cast Round Electrical Box with Five (5) 3/4" Coin Plugs



FXVS30AP



FXVS30SP



FXVWGS\*



FXVWGA\*



FXCPRB



FXCPRB1



FXCPRC1



FXCPRB3

FXLSolutions.com • (800) 533-2789 • info@FXLSolutions.com

# AmberLED LEDicated Vaporproof FXVB53Q, FXVP53Q & FXVW53Q



AMBERLED • HARSH ENVIRONMENTS • VAPORPROOF

## AMBER LEDICATED VAPORPROOF PHOTOMETRIC DATA

		<b>Wattage (Catalog Logic)</b>	<b>23W (1X23)</b>
		<b>Input Watts</b>	<b>27W</b>
<b>Lumen Package</b>	<b>Optic</b>	<b>CCT</b>	<b>Delivered Lumens</b>
AmberLED Vaporproof	Type V	Amber	1,194
		Bug Rating	B1-U2-G0

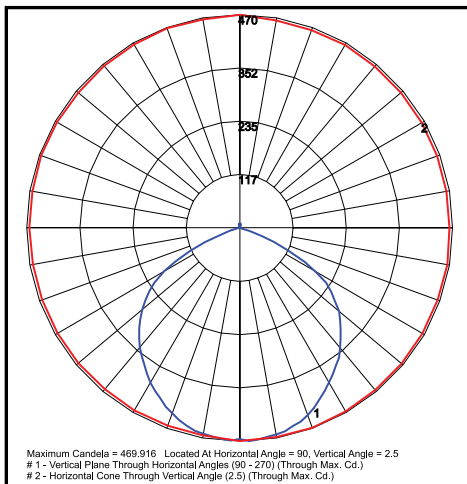
## AMBER LEDICATED VAPORPROOF PROJECTED LUMEN MAINTENANCE

Data shown for 5000 CCT	Input Watts	Initial	Compare to MH			Calculated LED Life
			25,000 Hrs	50,000 Hrs	100,000 Hrs	
TM-21-11						
L70 Lumen Maintenance @ 25°C / 77°F		1.00	0.96	0.92	0.84	187,000
L70 Lumen Maintenance @ 50°C / 122°F	27	1.00	0.93	0.86	0.72	107,000
L80 Lumen Maintenance @ 40°C / 104°F		1.00	0.94	0.88	0.76	82,000

**NOTES:**

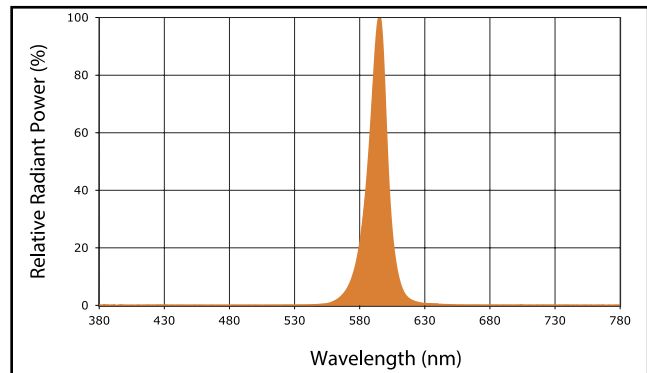
1. Projected per IESNA TM-21-11. Data references the extrapolated performance projections for the base model in a 25°C ambient, based on 10,000 hours of LED testing per IESNA LM-80-08.
2. Compare to MH box indicates suggested Light Loss Factor (LLF) to be used when comparing to Metal Halide (MH) systems.

## AMBER LEDICATED VAPORPROOF DISTRIBUTION



FXVP53QF1X23UAM  
Type V

## AMBER LEDICATED VAPORPROOF SPECTRAL CHART



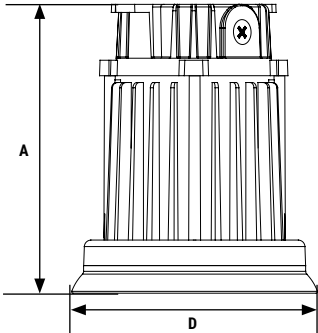
FXLSolutions.com • (800) 533-2789 • info@FXLSolutions.com

# AmberLED LEDicated Vaporproof FXVB53Q, FXVP53Q & FXVW53Q



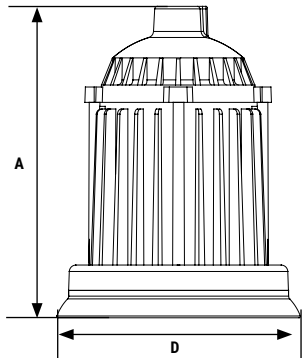
AMBERLED • HARSH ENVIRONMENTS • VAPORPROOF

## AMBER LEDICATED VAPORPROOF DIMENSIONAL DATA



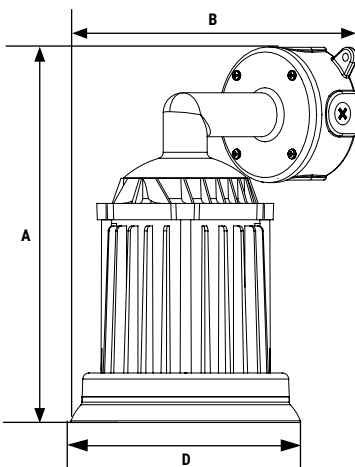
### FXVB53Q Dimensions

Diameter (D)	7¼" (184mm)
Height (A)	8½" (216mm)



### FXVP53Q Dimensions

Diameter (D)	7¼" (184mm)
Height (A)	9" (235mm)



### FXVW53Q Dimensions

Diameter (D)	7¼" (184mm)
Height (A)	12" (305mm)
Depth (B)	8¾" (225mm)

FXLSolutions.com • (800) 533-2789 • info@FXLSolutions.com