

EasyLED Low Profile Round Surface Mount

FXVNR34Q

SOFTLED • HARSH ENVIRONMENTS • SURFACE MOUNT



The FXVNR34Q Low Profile Round Surface Mount luminaire is available for surface with an optical distribution designed specifically to replace HID lighting systems up to 100w MH or HPS. Typical lighting applications include retail centers, industrial parks, schools and universities, public transit and airports, office buildings and medical facilities. Mounting heights of 8 to 16 feet can be used based on light level and uniformity requirements.

HOUSING:

Die Cast Aluminum Housing, Nickel-Plated Stainless Steel Hardware.

LISTING & RATINGS:

CSA: Listed for Wet Locations, ANSI/UL 1598, 8750; IP65 Sealed LED Compartment.

FINISH:

Textured Architectural Bronze Powdercoat Finish Over a Chromate Conversion Coating. Custom Colors Available Upon Request.

LENS:

SoftLED Low Profile LumaLens Opal UV-Stabilized Polycarbonate Vandal-Resistant Lens

MOUNTING OPTIONS:

Included Easy-Hang Bracket Fits Standard 4" Electrical Box, Allowing One-Person Installation.

EASYLED LED:

Aluminum Boards

WATTAGE:

Array: 34w, System: 38.9w; (100w HID Equivalent)

DRIVER:

Electronic Driver, 120-277V, 50/60Hz or 347-480V, 50/60Hz; Less Than 20% THD and PF>0.90. Standard Internal Surge Protection 4kV. 0-10V Dimming Standard for a Dimming Range of 100% to 10%; Dimming Source Current is 150 Microamps.

CONTROLS:

Fixtures Ordered with Factory-Installed Photocell or Motion Sensor Controls are Internally Wired for Switching and/or 1-10V Dimming Within the Housing. Remote Direct Wired Interface of 1-10V Dimming is Not Implied and May Not Be Available, Please Consult Factory. Fixtures are Tested with FX Lighting Controls and May Not Function Properly With Controls Supplied By Others. Fixtures are NOT Designed for Use with Line Voltage Dimmers.

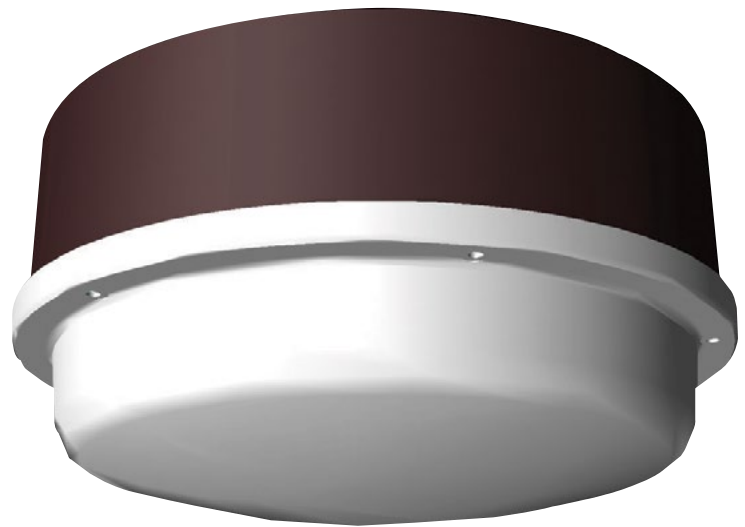
LIFESPAN:

L70>147,000 Hours

WARRANTY:

5-Year Warranty for -40°C to +40°C Environment.

See Page 3 for Projected Lumen Maintenance Table.



PROJECT INFORMATION:

Project Name: _____ Fixture Type: _____

Complete Catalog #: _____ Date: _____

Comments: _____

FXLSolutions.com • (800) 533-2789 • info@FXLSolutions.com

EasyLED Low Profile Round Surface Mount

FXVNR34Q

SOFTLED • HARSH ENVIRONMENTS • SURFACE MOUNT



We have custom and standard manufacturing options. Use this form to build your part number or reach out to our sales team for assistance.

GET YOUR PRODUCTS FASTER WITH OUR QUICK SHIP PROGRAM

Multiple USA locations = 98-3-1 Quick Ship Program

98% Fill Rate – 3 Day Lead Time – 1 Piece Minimum Order

ORDER EXAMPLE

FXVNR34Q	F	1X34	U	5K	LP	Z	SP
Series	Optics	Wattage	Driver	CCT	Lens	Color	Options

ORDER CONFIGURATION

Series	Optics	Wattage	Driver	CCT	Lens	Color	Options
FXVNR34Q= EasyLED Low Profile Round Surface Mount	F=Type V	1X34=34w	U=120-277V H=347-480V	4K=4000K 5K=5000K	LP=SoftLED Low Profile LumaLens Opal UV-Stabilized Polycarbonate Lens	Z=Bronze C=Custom (Consult Factory)	SF=Single Fuse* DF=Double Fuse* SP=Surge Protection S2=Microwave Sensor with Dimming for Mounting Heights of 8' to 40'.* S4=Microwave On/Off Motion Sensor for Mounting Heights of 8' to 19'.* BU=Battery Backup, 90 Minutes* BUC=Cold Start Battery Backup, -20°C, 90 Minutes* *120-277V Models Only.
FXVNR34Q	F	1X34			LP		

Replacement Parts

(Order Separately, Field Installed)

Options	Description
FXP17117	Internal Microwave Sensor with Dimming for Mounting Heights of 8' to 40'. 120-277VAC, 50/60Hz
FXP17123	Internally Mounted Microwave On/Off Motion Sensor for Mounting Heights of 8' to 19', 120-277VAC, 50/60Hz

For Replacement Battery Backup, see the FX Lighting LED Battery Backup Specification Sheet.



FXP17117



FXP17123

FXLSolutions.com • (800) 533-2789 • info@FXLSolutions.com

EasyLED Low Profile Round Surface Mount

FXVNR34Q

SOFTLED • HARSH ENVIRONMENTS • SURFACE MOUNT



FXVNR34Q PHOTOMETRIC DATA

Wattage (Catalog Logic)		34W (1X34)	
Input Watts		38.9W	
Lumen Package	Optic	CCT	Delivered Lumens
FXVNR34Q	Type V	4000K	4,536
		5000K	4,725
		Bug Rating	B2-U3-G2

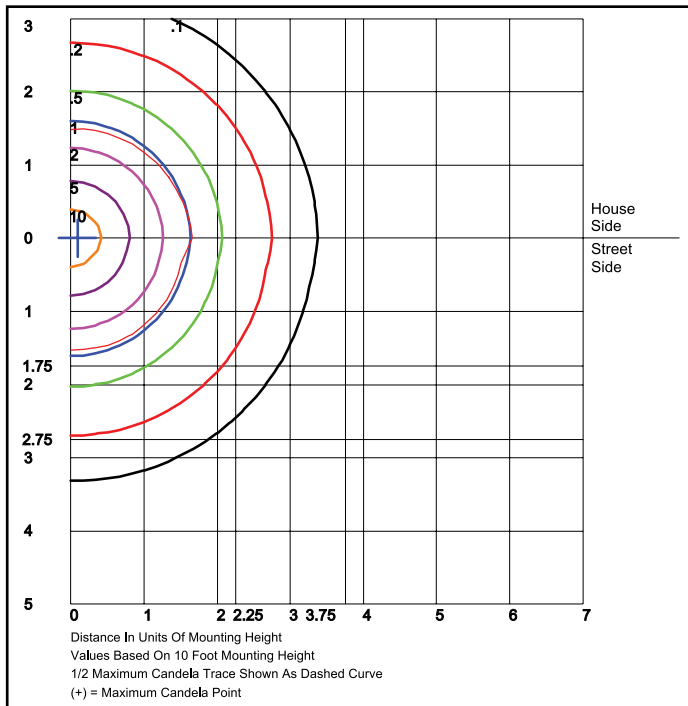
FXVNR34Q PROJECTED LUMEN MAINTENANCE

Data shown for 5000 CCT		Compare to MH				
TM-21-11	Input Watts	Initial	25,000 Hrs	50,000 Hrs	100,000 Hrs	Calculated LED Life
L70 Lumen Maintenance @ 25°C / 77°F	39	1.00	0.95	0.90	0.80	147,000
L70 Lumen Maintenance @ 50°C / 122°F		1.00	0.89	0.78	0.55	67,000
L80 Lumen Maintenance @ 40°C / 104°F		1.00	0.92	0.85	0.70	66,000

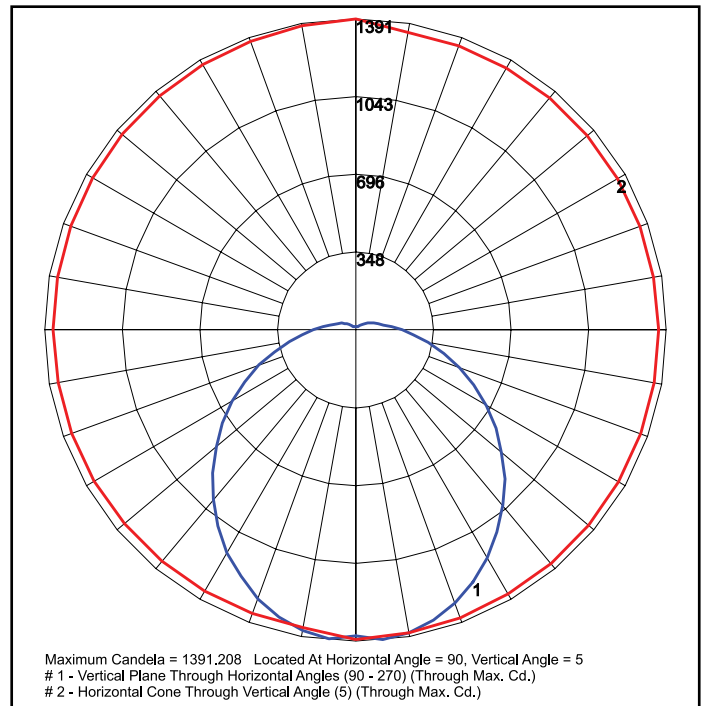
NOTES:

1. Projected per IESNA TM-21-11. Data references the extrapolated performance projections for the base model in a 25°C ambient, based on 10,000 hours of LED testing per IESNA LM-80-08.
2. Compare to MH box indicates suggested Light Loss Factor (LLF) to be used when comparing to Metal Halide (MH) systems.

FXVNR34Q DISTRIBUTION



FXVNR34QF1X34U5KLP
Type V
Grid in MH
MH=10 Feet



FXVNR34QF1X34U5KLP
Type V

FXLSolutions.com • (800) 533-2789 • info@FXLSolutions.com

EasyLED Low Profile Round Surface Mount

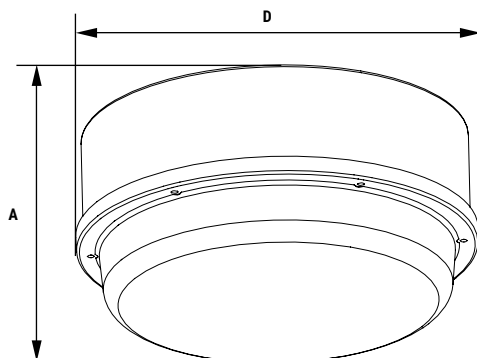
FXVNR34Q

SOFTLED • HARSH ENVIRONMENTS • SURFACE MOUNT



FX
LIGHTING™
A QSSI Company Since 1985

FXVNR34Q DIMENSIONAL DATA



Dimensions

Diameter (D) 11½" (291mm)

Height (A) 6" (150mm)

FXLSolutions.com • (800) 533-2789 • info@FXLSolutions.com

Information provided is subject to change. Please verify all details with FX Lighting. All values are designed to standard industry values when measured under laboratory conditions, and FX Lighting makes no warranty or guarantee, expressed or implied, that such performance will be obtained under end-use conditions.

REV. 07/21/21 4