

INSTALLATION GUIDE

SAFETY AND INSTALLATION INSTRUCTIONS

- Read all installation instructions included with this purchase and fixture to reduce the risk of death, injury, shock, property damage, falling debris, and other hazards.
- All installation and maintenance of luminaries must be performed by a licensed and qualified electrician. Do not attempt to install any FX Lighting fixtures without a qualified electrician.
- Occasionally it will be necessary to clean the light fixture to wipe away excess dust, debris, etc. by rinsing with warm water not to exceed 176° Fahrenheit.
- If you see that the product has been damaged, either in shipping or storage, and does not come as a factory manufactured unit, do not attempt to install. Contact FX Lighting if you have any questions or concerns about the operational functionality of your lighting fixture.
- If you have any questions on how to recycle lighting products, please visit www.epa.gov/hw/universal-waste#a3
- Never attempt to install a fixture without disconnecting and turning off the incoming power per your state's law.
- Comply with all local "Lock Out Tag Out" guidelines in your installation region.
- Only use the fixture for the location that it is intended for.
- The provided instructions do not detail every variation of equipment or installation. If you have any questions about the lighting product, equipment, or installation, please contact FX Lighting before installation.

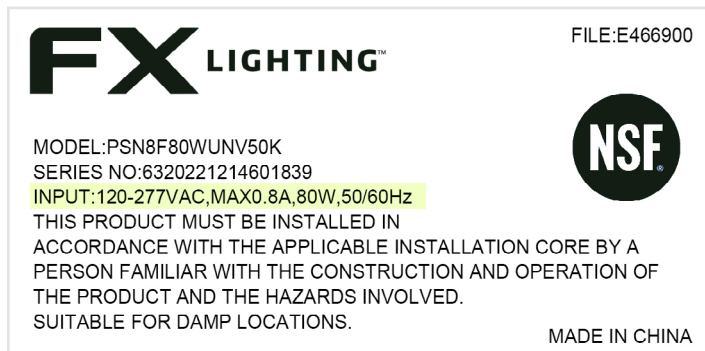
WARNING!

- ⚠ Ensure power is disconnected and turned off before any maintenance or installation.
- ⚠ Ensure incoming voltage matches the voltage description of the fixture.
- ⚠ All electrical and grounding connections must be made in accordance with local and federal code requirements.
- ⚠ Do not attempt to touch or perform maintenance until the fixture is completely cooled to reduce burn risk.
- ⚠ Proper safety gear should be worn at all times during installation and maintenance, including but not limited to: gloves, safety glasses, hardhats, lift harness, etc.

POSEIDON INSTALLATION INSTRUCTIONS

1 Verify Fixture Wattage and Voltage

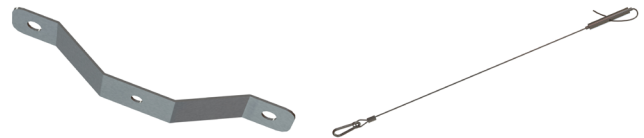
- a. Identify that the lighting fixture is the appropriate fixture for this application based on the wattage and voltage found on the Poseidon fixture



2 Pre-Installation for all Mounting

- a. Ensure power is disconnected and turned off
- b. Clear surrounding area and mark area off from other personnel, forklifts, etc.
- c. Inspect installation location for any damage and ensure mounting structure will support the weight of the fixture
- d. Inspect fixture for any damage due to shipping. If fixture shows damage, do not install and call FX Lighting for further assistance
- e. Ensure there is no damage to the wire jacketing up to the terminal point of contact
- f. Ensure proper safety gear is worn at all times, especially when lift is involved

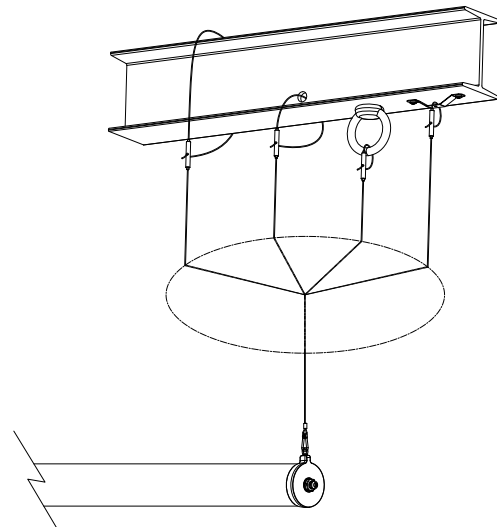
3 Installation with Hanger Cables (included in box)



- a. If using the surface brackets as mounting structure, mount the brackets onto the surface (continue as is)

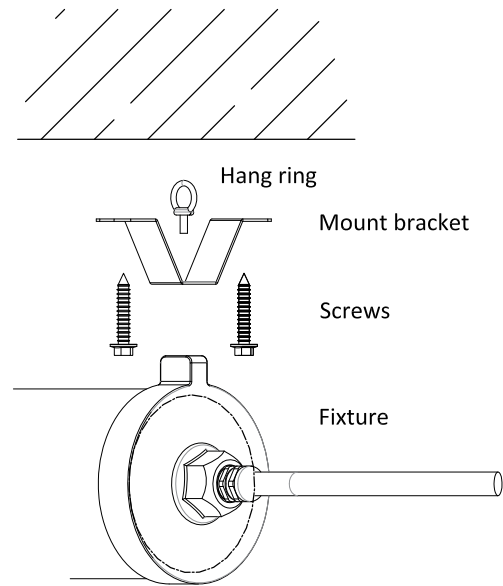
4ft Fixture – 47.5" apart
8ft Fixture – 93.25" apart

- b. Using the cable end of the hanging cable, loop the cable through the structure and secure it to the fastener and tighten as needed



- c. Using the hook end of the cable, hook the cable through the Poseidon eyelet

- d. Run fixture power cable to the supporting power supply and make necessary connections based on the diagram below. Purple and gray wires indicate low voltage dimming leads. Only use UL listed connectors that are rated 90c or greater
- e. Ensure there are no loose or uncapped wires where connection is made
- f. Ensure personnel are not in close proximity of fixture or connection
- g. Power fixture on and ensure no problems arise from the electrical connection



4 Installation with Surface Mount Brackets (included in box)



- a. Mount the brackets onto the surface you wish to hang from and ensure they are properly spaced from each other to hang the fixture straight down

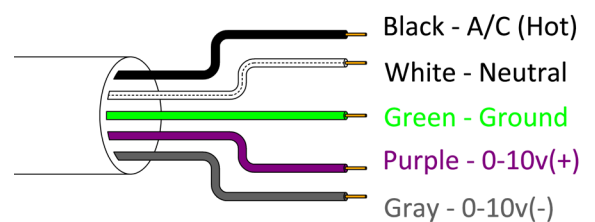
4ft Fixture – 47.5” apart

8ft Fixture – 93.25” apart

- b. Remove eyelet ring from Poseidon fixture
- c. Place the Poseidon endcap underneath the mounting bracket and secure the eyelet ring back into the M6 hole on the endcap
- d. Run fixture power cable to the supporting power supply and make necessary connections based on the diagram below. Purple and gray wires indicate low voltage dimming leads. Only use UL listed connectors that are rated 90c or greater

- e. Ensure there are no loose or uncapped wires where connection is made
- f. Ensure personnel are not in close proximity to the fixture or connection
- g. Power fixture on and ensure no problems arise from the electrical connection

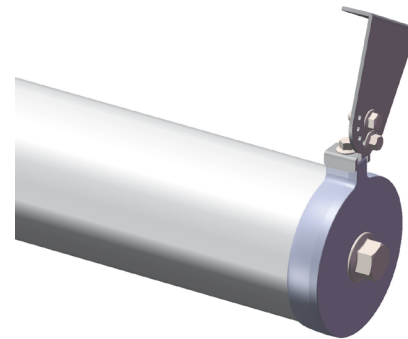
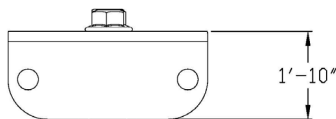
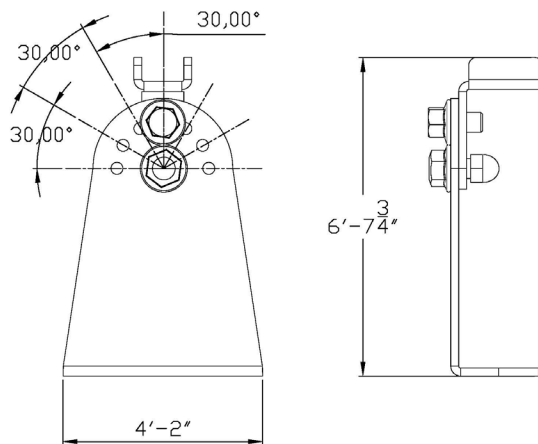
Wiring Diagram



5 Installation with Wall Mount Bracket (ordered separately)



- Confirm the angle needed to hang the Poseidon
- Adjust the bracket accordingly and ensure the screws are tightened securely to keep the angle in place



- Remove the eyelet from the top of the fixture
- Place the bracket onto the top of the Poseidon and secure the eyelet through the bracket and back onto the fixture
- Mount the brackets onto the surface you wish to hang from using the two holes at the top of the bracket as shown in the picture above
- Run fixture power cable to the supporting power supply and make necessary connections based on the diagram below. Purple and gray wires indicate low voltage dimming leads. Only use UL listed connectors that are rated 90c or greater
- Ensure there are no loose or uncapped wires where connection is made
- Ensure personnel are not in close proximity to the fixture or connection