

# POSEIDON™

NSF • IP66 • IP69K • LINEAR TASK LIGHT



FOOD & BEVERAGE  
PROCESSING



MANUFACTURING  
& DISTRIBUTION



LIVESTOCK  
FARMING

The Poseidon is designed for the harsh environments found in food processing, heavy industrial manufacturing, warehouse, and distribution facilities. The IP66 waterproof design is an ideal task light to retrofit existing linear fluorescent as well as HID high-bay fixtures.



## PERFORMANCE

LUMEN OUTPUT	7,500-20,000 lumens
LIFESPAN	L70> 72,000 Hours
AMBIENT TEMPERATURE	-4°F to 122°F (-20°C to 50°C)
WARRANTY	5 Years
EFFICACY	Up to 130 LPW
POWER WASHING	Up to 1600 PSI

## ELECTRICAL

OPERATING VOLTAGE	120-277V
INPUT FREQUENCY	50/60Hz
INPUT WATTAGE	4ft - 58W, 80W      8ft - 80W, 160W
SURGE PROTECTION	2.5kV
DIMMING	0-10V
POWER INPUT	Standard 6' Yellow Cable (5-conductor wire to pigtails)

## CONSTRUCTION

IP RATING	IP66
IK RATING	IK10
WEIGHT	4ft - 6.2lbs (2.8kg)      8ft - 10.8lbs (4.9kg)
DIMENSIONS	4ft - 49.41"L x 3.15"D      8ft - 97.42"L x 3.15"D
ENDCAPS	Die Casted Aluminum Alloy
FINISH	Heat Dissipating Powder Coat
LENS	Shatterproof Polycarbonate

## OPTICAL

CRI	≥80
CCT	4000K, 5000K
BEAM ANGLE	120°

### PROJECT

### CATALOG CODE

### TYPE

### NOTES



Not all product variations listed on this page are DLC qualified.  
Visit [www.designlights.org/searchto](http://www.designlights.org/searchto) to confirm.

FXLSolutions.com • (800) 533-2789 • [info@FXLSolutions.com](mailto:info@FXLSolutions.com)

Information provided is subject to change. Please verify all details with FX Lighting. All values are designed to standard industry values when measured under laboratory conditions, and FX Lighting makes no warranty or guarantee, expressed or implied, that such performance will be obtained under end-use conditions.

POSEIDON • REV. 07/13/21

# POSEIDON™

NSF • IP66 • IP69K • LINEAR TASK LIGHT

## ORDERING INFORMATION

We have custom and standard manufacturing options. Use this form to build your part number or reach out to our sales team for assistance.

### GET YOUR PRODUCTS FASTER WITH OUR QUICKSHIP PROGRAM

**PSN4F80WUNV50K** ships same day, if order is received before 12 pm EST. Standard delivery time applies. Our QuickShip POSEIDON features:

LENGTH	4ft	VOLTAGE	120-277V
WATTAGE	80W	COLOR TEMP	5000k

#### ORDER EXAMPLE

Length
Voltage

**PSN**
**4F**
**80W**
**UNV**
**50K**

Series
Wattage
Color Temp

#### ORDER CONFIGURATION

STANDARD VALUES

Series	Length	Wattage	Voltage	Color Temp
PSN	4F 4 foot	4ft	UNV 120-277V	40K 4000k
		8ft		50K 5000k
	8F 8 foot	58W 58watts	80W 80watts	
		80W 80watts	160W 160watts	

#### ACCESSORIES (ORDER SEPARATELY)

Order Code	Description
WM	Wall Mount Bracket
P3	3pin Mini Connector Male Plug
P5	5pin Mini Connector Male Plug
5P	120v Plug
L6P	Locking 208/240v Plug
L7P	Locking 277v Plug
W5P	Watertite 120v Plug
W6P	Watertite Locking 208/240v Plug
W7P	Watertite Locking 277v Plug

#### CORDSSETS (ORDER SEPARATELY)

Order Code	Description
MIN-3FP-6	3 conductor Female 6' Cable to pigtails
MIN-5FP-6	5 conductor Female 6' Cable to pigtails
MIN-3MFP-6	3 conductor Female 6' Cable to Male
MIN-5MFP-6	5 Conductor Female 6' Cable to Male



FXLighting.com • (800) 533-2789 • info@FXLighting.com

Information provided is subject to change. Please verify all details with FX Lighting. All values are designed to standard industry values when measured under laboratory conditions, and FX Lighting makes no warranty or guarantee, expressed or implied, that such performance will be obtained under end-use conditions.

# POSEIDON™

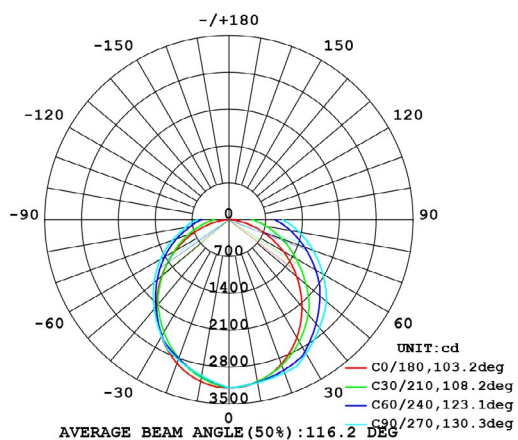
NSF • IP66 • IP69K • LINEAR TASK LIGHT

## OPERATING CHARACTERISTICS

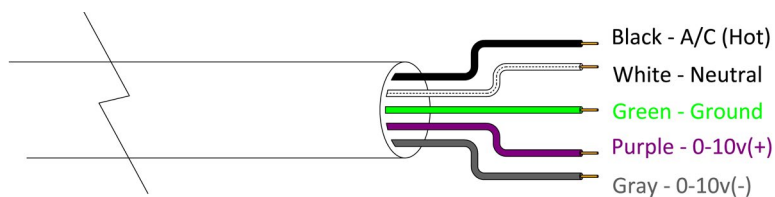
### POSEIDON CHARACTERISTICS

Lumen Package	Wattage		Amp Draw		Length	Diameter	Diameter with Ring Mount	Comparable Light Source
	120V	277V	120V	277V				
7,500 L	60	58	0.50	0.22	49.41"	3.15"	4.4"	2 Lamp T8 Vapor
10,000 L	80	78	0.68	0.30	49.41"	3.15"	4.4"	4 Lamp T8 Vapor, 2 Lamp T5 HO Vapor
10,000 L	80	78	0.68	0.30	97.42"	3.15"	4.4"	2 Lamp 8' T8 Vapor
20,000 L	160	157	1.35	0.60	97.42"	3.15"	4.4"	4 Lamp 8' T5 HO Vapor

### DISTRIBUTION DIAGRAM

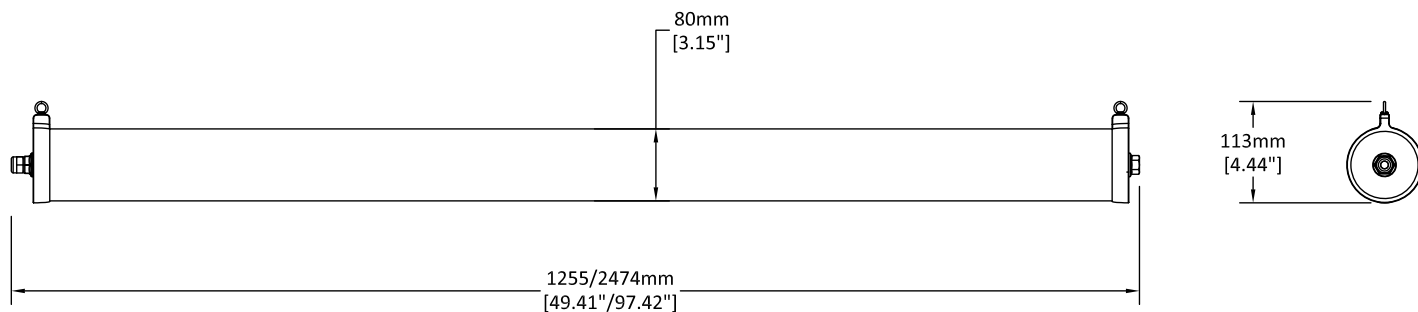


### WIRING DIAGRAM



### PACKAGING DIMENSIONS

	4ft			8ft		
	Box	Case	Pallet	Box	Case	Pallet
QTY - FIXTURES	1	6	90	1	6	90
BOX	52"L x 5"W x 4"H	53"L x 12"W x 12"H	53"L x 40"W x 65"H	98"L x 5"W x 4"H	99"L x 12"W x 12"H	99"L x 30"W x 65"H
WEIGHT	8lbs	50lbs	765lbs	14lbs	85lbs	1300lbs



# POSEIDON™

NSF • IP66 • IP69K • LINEAR TASK LIGHT

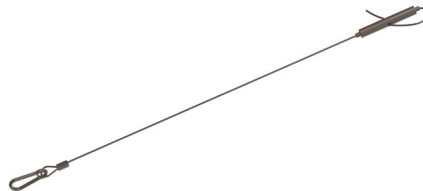
## DIMENSIONAL DATA

### MOUNTING OPTIONS

Surface Bracket and Adjustable Cables included with all Poseidon fixtures



**SURFACE BRACKET  
(INCLUDED)**



**ADJUSTABLE CABLE  
(INCLUDED)**



**WALL MOUNT BRACKET  
(ORDER SEPARATELY)**

