

TRIDENT™

IP65 • VAPOR TIGHT LINEAR FIXTURE



U.S. Patent No. 10,883,682



FOOD & BEVERAGE
PROCESSING



MANUFACTURING
& DISTRIBUTION



LIVESTOCK
FARMING

The Trident is designed for quick and easy maintenance with limited fixture disassembly. This fixture incorporates a quick access panel that allows for driver replacement without the need to remove the circuit board. Dimming options include traditional 0-10V and TRIAC 120V. The reinforced housing and high impact diffuser will withstand the harshest environments. The Trident can be surface or chain mounted. The Trident comes standard with 304 stainless steel brackets and screws.

PERFORMANCE

LUMEN OUTPUT	1,950-3,250 lumens	
LIFESPAN	L70>72,000 hours	
AMBIENT TEMPERATURE	0-10V: -4°F to 131°F (-20°C to 55°C)	TRIAC: -4°F to 104°F (-20°C to 40°C)
WARRANTY	5 Years	
EFFICACY	>130 lumens per watt	
POWER FACTOR	≥0.90	

ELECTRICAL

OPERATING VOLTAGE	0-10V: 120-277V	TRIAC: 120V
INPUT FREQUENCY	50/60Hz	
INPUT WATTAGE	15W, 25W	
SURGE PROTECTION	1.5kV (15w, 0-10v)	2kV (25w, 0-10v)
DIMMING	0-10V	TRIAC

CONSTRUCTION

IP RATING	IP65
WEIGHT	2.56 lbs
DIMENSIONS	25.79"L x 4.72"W x 3.48"D
HOUSING	ABS Thermoplastic
LENS	Impact Resistant Polycarbonate

OPTICAL

CRI	≥80
CCT	4000K, 5000K
BEAM ANGLE	Frosted cover: 120°

PROJECT

CATALOG CODE

TYPE

NOTES



FXLSolutions.com • (800) 533-2789 • info@FXLSolutions.com

TRIDENT™

IP65 • VAPOR TIGHT LINEAR FIXTURE

We have custom and standard manufacturing options. Use this form to build your part number or reach out to our sales team for assistance.

Code Example:
TRDT4LVC150KFYXP5

ORDER EXAMPLE

	<u>Lumen PKG</u>		<u>Controls</u>		<u>Lens</u>	
TRDT	4L	V	C1	50K	F	YX P5
Series		Dimming		Color Temp		Options & Plugs

ORDER CONFIGURATION

STANDARD VALUES

Series	Lumen PKG	Dimming	Controls	Color Temp	Lens	Options
TRDT	2L 1950 lumens	T TRIAC	Blank No Controls	40K 4000K	F Frosted	YX 5 conductor yellow wire that is X feet long
	4L 3250 lumens	V 0-10v	C1 Wet Location Motion Sensor	50K 5000K		WX 5 Conductor white cable X feet long VH Stainless Steel V Hook with Chain

PLUGS

Plugs	Description
P3	3pin Mini Connector Male Plug
P5	5pin Mini Connector Male Plug
5P	120v Plug
L6P	Locking 208/240v Plug
L7P	Locking 277v Plug
W5P	Watertite 120v Plug
W6P	Watertite Locking 208/240v Plug
W7P	Watertite Locking 277v Plug

STANDARD MOUNTING

304 Stainless Steel Surface Mount Bracket



TRIDENT™

IP65 • VAPOR TIGHT LINEAR FIXTURE

OPERATING CHARACTERISTICS

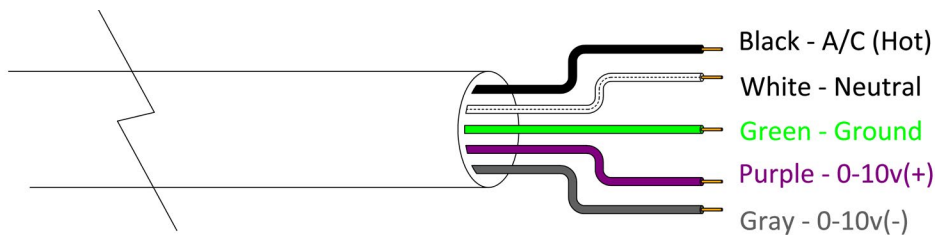
TRIDENT CHARACTERISTICS

Lumen Package	Wattage		Amp Draw		Length	Width	Depth
	120V	277V	120V	277V			
2L	15.3	15.1	0.13	0.06	25.79"	4.72"	3.48"
4L	25.1	24.8	0.21	0.09	25.79"	4.72"	3.48"

AMBIENT TEMPERATURE RATINGS

Lumen package	Dimming Function	Fixture Rating
2L 4L	TRIAC	-20C to 40C (-4 to 104F)
2L 4L	0-10V	-20C to 55C (-4 to 131F)

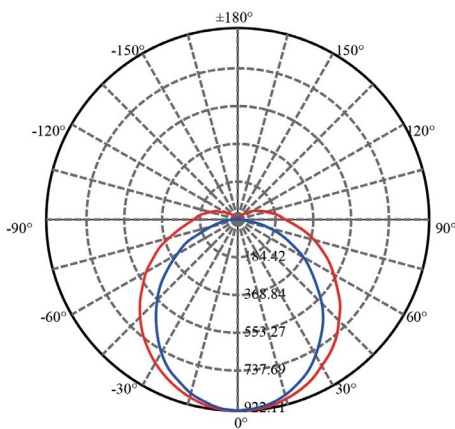
WIRING DIAGRAM



PACKAGING DIMENSIONS

	Box	Case	Pallet
QTY - FIXTURES	1	6	180
BOX	26"L x 5"W x 4"H	27"L x 11"W x 13"H	48"L x 40"W x 60"H
WEIGHT	3lbs	18lbs	720lbs

TRIDENT LIGHT DISTRIBUTION

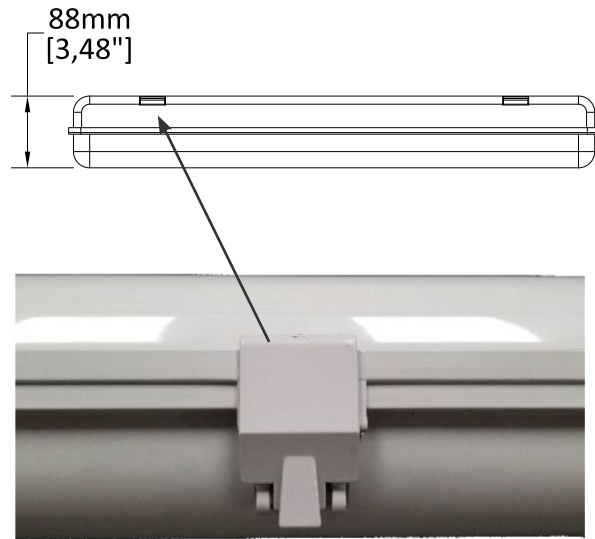


TRIDENT™

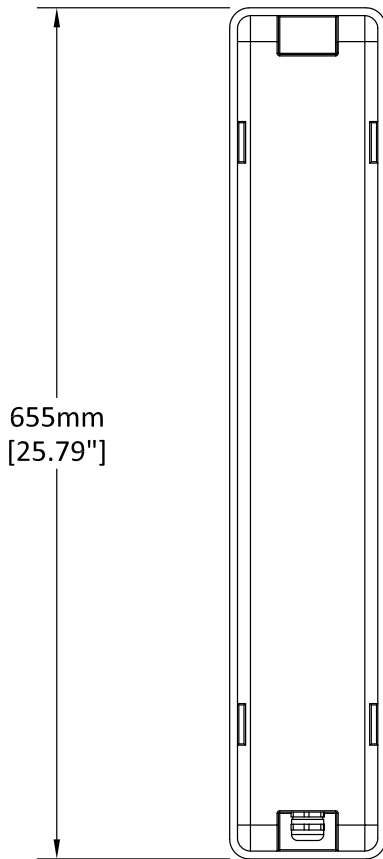
IP65 • VAPOR TIGHT LINEAR FIXTURE

DIMENSIONAL DATA

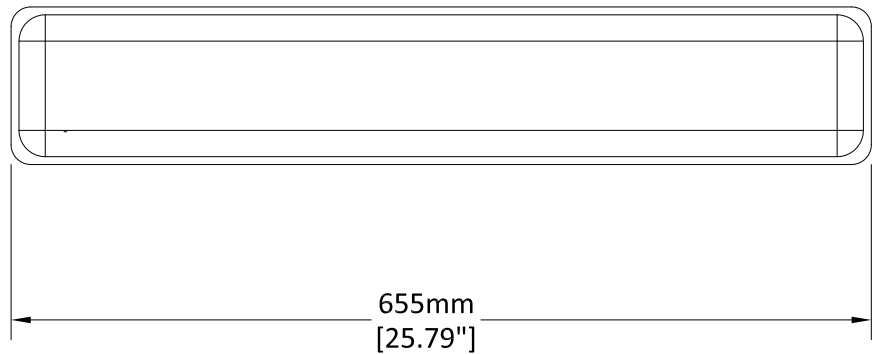
TRIDENT SIDE VIEW



TRIDENT



TRIDENT BOTTOM VIEW



TRIDENT TOP VIEW

